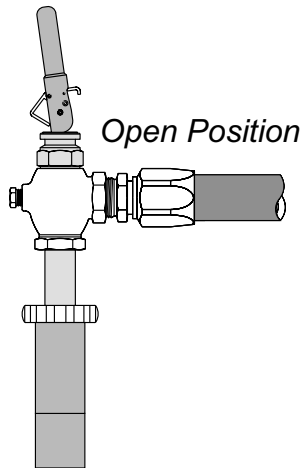


# Cylinder Filling Valves

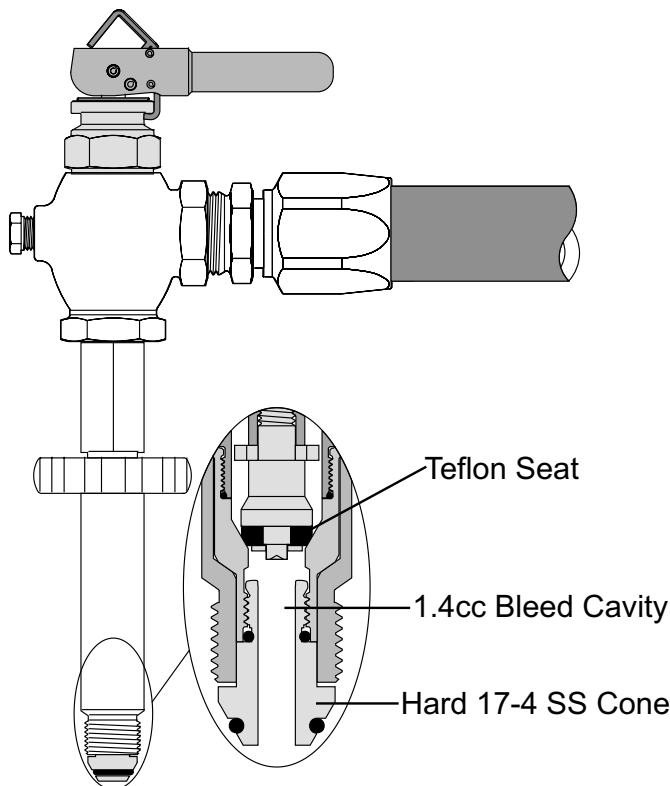
**Save \$ While Meeting New EPA Regulations**

The Minimum Bleed POL and QCC Style Valves are safe, light-weight and easy to use. They minimize the amounts of product released during a disconnect, saving you money while protecting the environment.



- Snap acting handle for added safety & ease of operation over twist operated valve
- Bleed cavity of only **1.4cc** for POL and **.4cc** for QCC
- Safety latch to prevent accidental opening
- Teflon® seat and stem seal
- UL listed for Propane and NH<sub>3</sub> Service

## POL: Model L422



## QCC: Model L423

