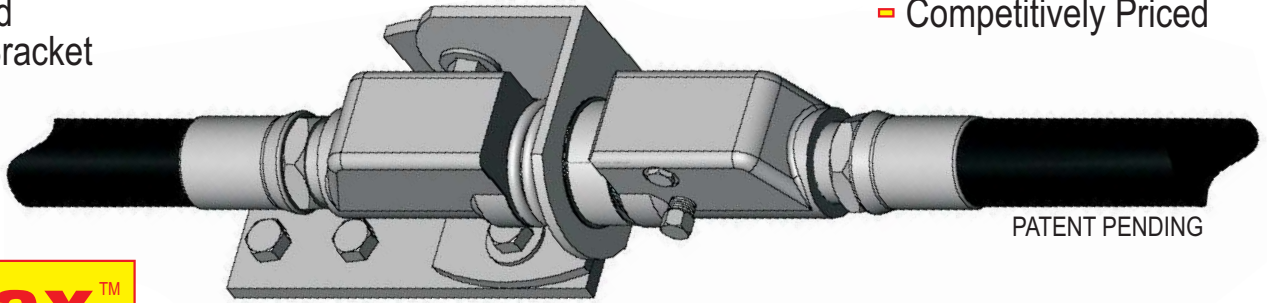


Why would you buy any other Tool Bar Coupler?

Flow restriction caused by a tool bar breakaway coupling is no longer an issue!

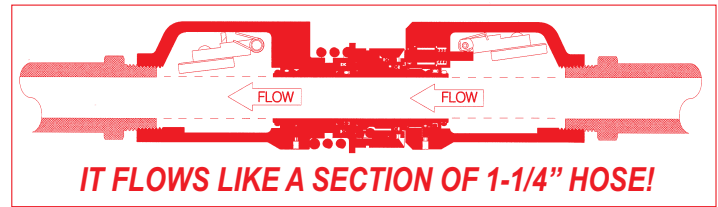
- 40% Increase in Flow over any other Coupler on the Market
- Fits the Standard Double Swivel Bracket
- Ductile Iron Body - Stainless Steel Wetted Parts
- No Replacement Date
- Easily Reconnected
- Field Serviceable
- Competitively Priced



Flo-Max™

Flo-Max features "swing style" check valves that provide a wide open through bore in its operating position.

1-1/4" FNPT Inlet x 1-1/4" FNPT Outlet



Never Buy Another Radar Gun!



SkyTrak™ GPS Velocity Sensor

- Much Less Expensive and Just as Accurate
- Can Easily Be Switched from Vehicle to Vehicle
- Much Easier to Install - Magnetic or Hard Mounting
- Can Supply Speed Input to Multiple Devices
- Not Affected by Crop or Ground Conditions
- 4Hz Update Rate for Accuracy at High or Low Speeds
- Plug Compatible with Existing Radar Connectors- 3 Pin and 4 Pin

It's a no-brainer!

Contact us for more details.



MANUFACTURED BY PGI INTERNATIONAL

214.357.4591 800.345.8105 www.squibbtaylor.com