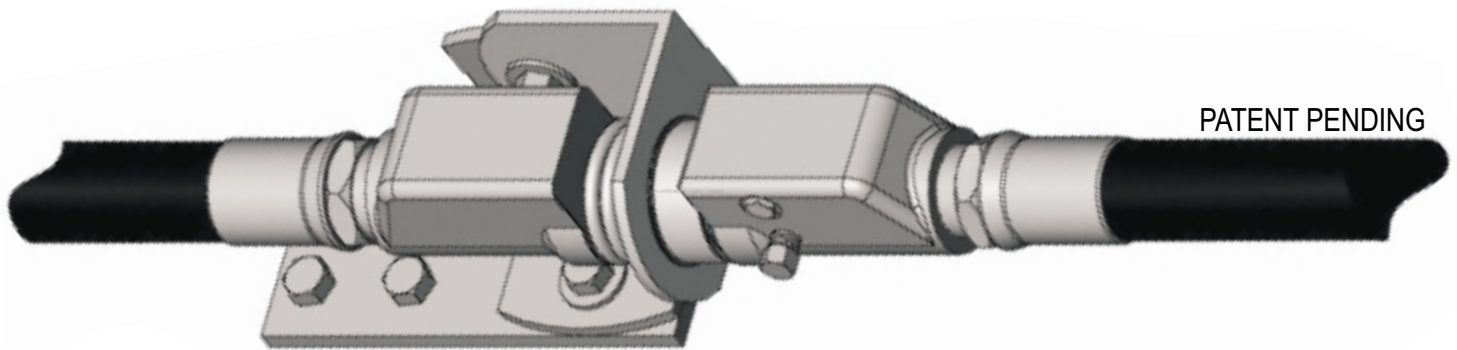


**HERE  
IT IS!**

# The Tool Bar Break-Away That Has Everything You Ever Wanted!

- **Stainless steel critical components** for reliable operation and no need to “Replace Every Three Years”
- **Immediate and easy reconnection** so your valuable time is not wasted
- **Virtually no pressure drop** so you can flow more product in lower temperatures
- **Connection to your existing 2 way swivel bracket**



## **FLO-MAX™**

Flo-Max features “swing style” check valves that provide a wide open through bore in its operating position. It comes only in 1-1/4” FNPT size for flow hungry applications.



**STILL THE HIGHEST FLOW  
BREAK-AWAY ON THE MARKET!**



MANUFACTURED BY PGI INTERNATIONAL

214.357.4591 800.345.8105  
[www.squibbtaylor.com](http://www.squibbtaylor.com)