

PROBLEM:

Crop striping caused by NH_3 knife-to-knife variation

SOLUTION:

Equa-Flo - the world's first adjustable orifice NH_3 distribution manifold

BENEFIT:

Easily save significant NH_3 costs through **Equa-Flo's** lower application rates

Equa-Flo is definitely the most **accurate, versatile** and **cost-effective** distributor system available.

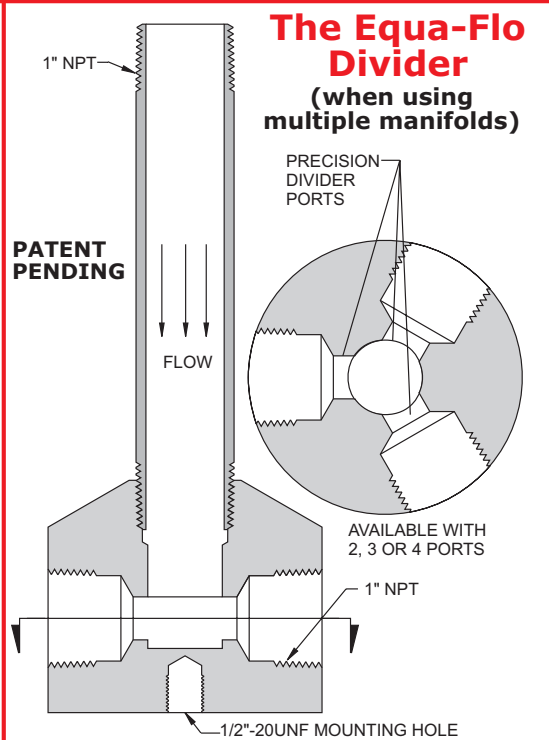
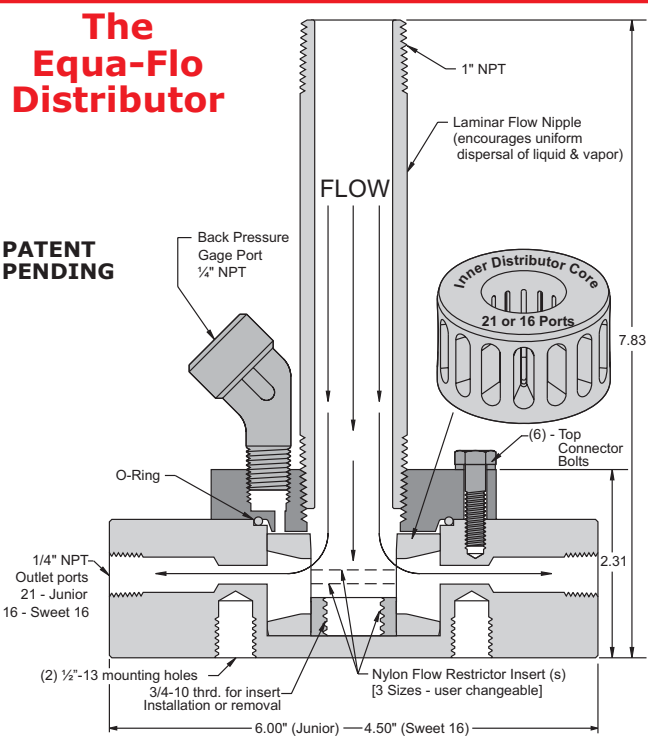
Accurate: - Independent testing at Iowa State University **proved** it was far superior to the liquid/vapor separation style distributors [Visit SquibbTaylor.com to view our detailed test results!]

Versatile:

- Choose from 21-port "Junior" or 16-port "Sweet 16" models
- Plug the ports that are not needed and still get excellent performance
- Four field-adjustable orifice settings are available to maximize performance regardless of tank pressure or application rate
- Choose from the precision Equa-Flo 2, 3 or 4-way dividers for multiple manifold applications

Cost-Effective:

- No need to buy an *exact* number of ports for an *exact* application...**one** Equa-Flo will accommodate all equipment or application changes
- Single distributor costs are comparable to the less accurate liquid/vapor separation style distributors. However, in multiple distributor systems requiring flow dividers, the Equa-Flo system is **considerably less expensive**



Go with the Flo,
Equa-Flo!
Squibb-Taylor
214.357.4591
800.345.8105
squibb@squibbtaylor.com