

# Type N100, N100A, N110 Bypass Valves and N120 Back Pressure Valve

## Parts List

Key	Description	Part Number	
1	Body 1-inch NPT 1 1/4-inch NPT 1 1/2-inch NPT 2-inch NPT 2 1/2-inch NPT	2P384419232 2P383219172 2P382719232 3R195119232 3R195219232	
		<b>N100A</b> 1 thru	<b>N100</b> 2 and
	<b>Body Size</b>	<b>1 1/2-Inches</b>	<b>2 1/2-Inches</b>
2	Spring Case	1P382819172	2R195419272
3	Closing Cap	1P382947062	1P360809022
4	Spring Adjuster Assembly Includes keys 4A, 4B, 4C, and 4D	1P3837000A2	1R1963000A2
6	Adjusting Screw Gasket 25-75 PSI Range 50-150 PSI Range	1P384137022 1P383838992	1R195537022 1R1956T0012
7*	Adjusting Screw Gasket	1P383006162	1P417928992
8	Inner Valve	T1157735032	1R195746172
9	Drive Screw (2 required)	1A368228982	1A368228982
10	Nameplate	Not Orderable	
11*	O-Ring	T12942T0012	1R195806992
12*	O-Ring	T12946T0012	T12945T0012
13	Screw (4 required)	1V1542X0012	T12724T0012
14	Washer	1P383935132	1R196035012
15*	O-Ring	T12947T0012	T12941T0012
16*	Cap Seal	1P384306442	1R196206442
17	Pipe Plug	T13718T0012	T13718T0012
18	Instruction Tag	T1007606992	
19	Lock Washer (4 required)	1C225728982	1A505628982
20	Instruction Manual	D450001T012	

\* Recommended Spare Part

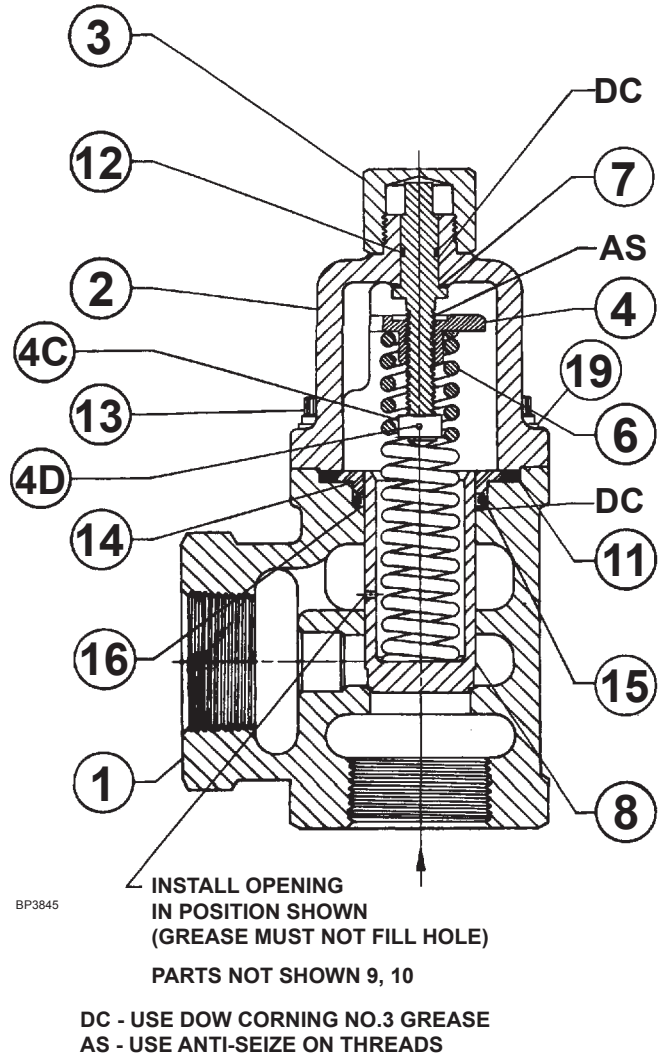


Figure 1. Type N100 Bypass Valve

# Type N100, N100A, N110 Bypass Valves and N120 Back Pressure Valve

Replacement Parts Sheet  
MCK 1038  
June 2005

## Parts List

Key	Description	Part Number
1	Body 3/4-inch NPT 1-inch NPT	T1058019232 T1058419232
2	Valve Guide Orifice	T20819T0012
3	Valve Plug Type N110 Type N120	T1058135022 T1069235032
4	Diaphragm	1E621702052
5	Diaphragm Head	T1057809012
6	Nut	T1059325552
7	Spring Case	T1057519232
8	Spring 25-75 PSI 50-150 PSI Set 12 PSI (N120 only)	T1057737082 T1057637082 T1069737022
9	Spring Adjustment Assembly (includes Keys 9A, 9B, 9C & 9D)	T10579000A2 T10699000A2
10	O-Ring Type N110 Type N120	T12946T0012 T1069606562
11	Union Nut	1E471119062
12	Seal Cap Type N110 Type N120	1P382947062 T1069347062
13	Washer	1P383006162
14	Pipe Plug	T13718T0012
15	Instruction Tag	T1007606992
16	O-Ring (N120 Only)	1K314806992
17	O-Ring (N120 Only)	T12945T0012
18	O-Ring Washer (N120 Only)	1D335935072
19	Machine Screw (N120 Only)	16A0429X012
20	Instruction Manual	D450001T012

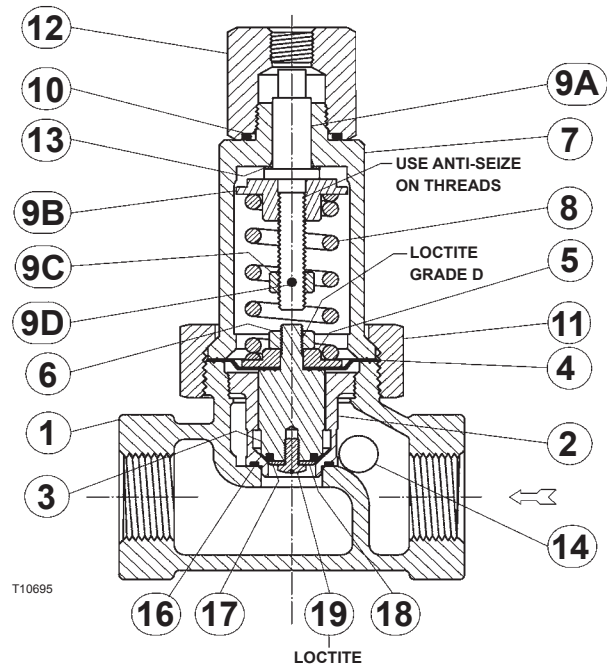


Figure 2. Type N120 Back Pressure Valve

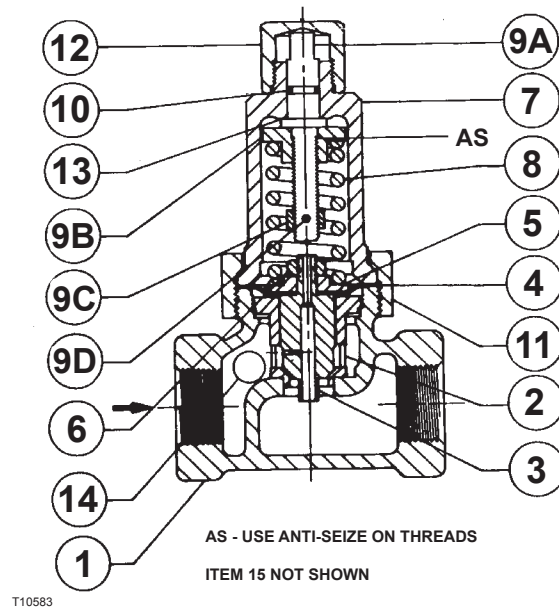


Figure 3. Type N110 Bypass Valve

Fisher and Fisher Regulators are marks owned by Fisher Controls International, LLC. The Emerson logo is a trademark and service mark of Emerson Electric Co. All other marks are the property of their respective owners.

The contents of this publication are presented for informational purposes only, and while every effort has been made to ensure their accuracy, they are not to be construed as warranties or guarantees, expressed or implied, regarding the products or services described herein or their use or applicability. We reserve the right to modify or improve the designs or specifications of such products at any time without notice.

Fisher does not assume responsibility for the selection, use or maintenance of any product. Responsibility for proper selection, use and maintenance of any Fisher product remains solely with the purchaser.

### Emerson Process Management

Fisher Controls International, LLC.  
P.O. Box 8004  
McKinney, Texas 75070, USA  
Telephone: 1 (800) 588-5853  
Telephone: 1 (469) 293-4201