

BLACKMER PARTS LIST

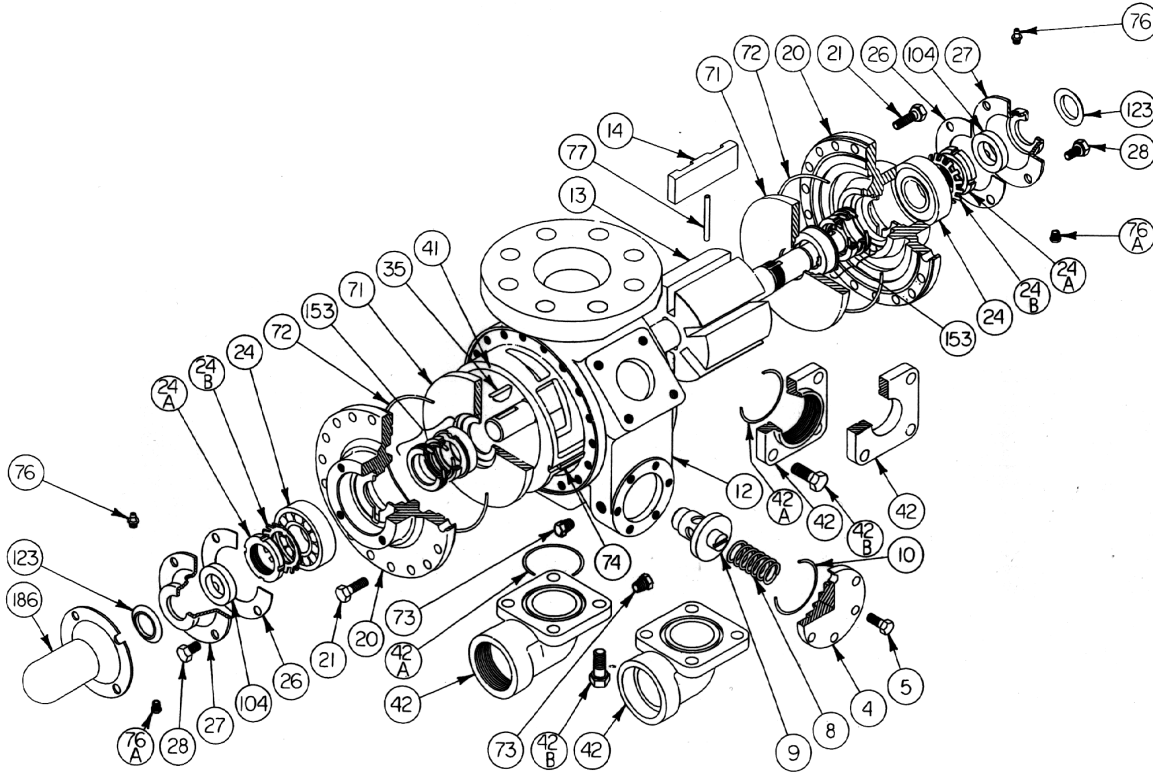
PUMP MODEL: TLGLF3C

960426
Page 1 of 2

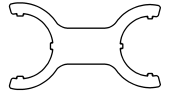
PARTS LIST
501-D01

(See Instructions 501-D00 for Installation, Operation and Maintenance)

Section 501
Effective August 2003
Replaces October 2002



LOCKNUT TOOL



Ref. No.	Description	Parts Per Pump	Part No.	Ref. No.	Description	Parts Per Pump	Part No.
4	Cover - Relief Valve (R/V)	1	⁴ 415108	42A	O-Ring - Flange 2 1/2" x 2 3/4"	2	¹ 701919
5	Capscrew - R/V Cover	6	920331	42B	O-Ring - Flange 2 5/8" x 2 7/8"	2	^{1,3} 702004
8	Spring - R/V	1	⁴ 471428	42B	Capscrew - Flange, Flanged Elbow	8	920491
9	Valve - R/V (Std.)	1	⁴ 451417	71	Disc	2	¹ 065121
9	Valve - R/V (Nickel Plated)		⁴ 451415	72	O-Ring - Head	2	¹ 711923
10	O-Ring - R/V Cover	1	¹ 701919	73	Gage Plug	2	908198
12	Casing	1	015128	74	Key - Liner	1	² 185193
13	Rotor & Shaft Assembly (Includes Ref. No. 24A & 24B)	1	² 265147	76	Grease Fitting	2	317815
14	Vane - Duravane	6	¹ 095132	76A	Grease Relief Fitting	2	701992
20	Head	2	035132	77	Push Rod	3	¹ 121607
21	Capscrews - Head	36	920351	104	Grease Seal	2	¹ 331918
24	Ball Bearing	2	¹ 903156	123	Dirt Shield	2	¹ 701480
24A	Locknut - Bearing	2	² 903521	186	Shaft Protector	1	341601
24B	Lockwasher - Bearing	2	¹ 903522	—	Tool - Locknut	—	903091
26	Gasket - Bearing Cover	2	¹ 383940	—	Kit - Maintenance - LPG (Q0)	—	898923
27	Bearing Cover	2	041431	—	Kit - Maintenance with R/V- LPG (Q0)	—	898990
28	Capscrews - Bearing Cover	8	920285	—	Kit - Maintenance - NH ₃ OR DUAL SERVICE (QA)	—	898980
35	Key - Shaft	1	¹ 909130	—	Kit - Rebuild - LPG (Q0)	—	899023
41	Liner	1	² 185101	—	Kit - Rebuild with R/V- LPG (Q0)	—	899090
42	Flange - 2" NPT	1-2	652010	—	Kit - Rebuild - NH ₃ OR DUAL SERVICE (QA)	—	899080
	Flange - 2" Weld		652024	—			
	Flanged Elbow - 2" NPT		655100	—			
	Flanged Elbow - 2" Weld		655109	—			

¹ Included in Maintenance Kit and Rebuild Kit

² Included in Rebuild Kit

³ Larger O-Ring introduced October 2002

⁴ Additional Parts Included in Maintenance Kit with R/V

Keep this parts list with Installation, Operation and Maintenance Instructions.

MECHANICAL SEAL – LPG – SNCN (ID Code = Q0)

Ref. No.	Part Name	Parts Per Pump	Part No.
153	Mechanical Seal Assembly	2	¹ 331652
153A	Stationary Seat (Steel)	2	**
153B	Seal Face (Carbon)	2	**
153C	Jacket Assembly	2	**
153D	O-Ring - Stationary (Buna-N)	2	711924
153E	O-Ring - Rotating (Buna-N)	2	711918

¹ Included in Maintenance Kit and Rebuild Kit

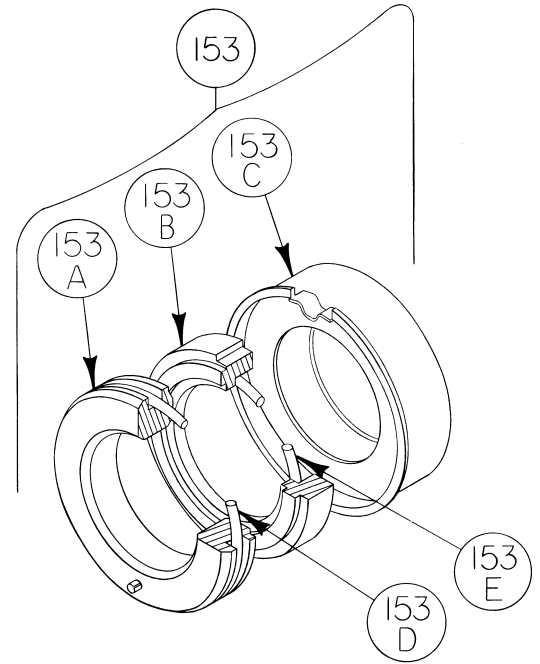
** NOTE: Mechanical Seal Ref. No. 153 is only sold as a complete assembly. Ref. Nos. 153A, 153B & 153C are not available as separate replacement parts.

MECHANICAL SEAL – NH₃ OR DUAL SERVICE – SNCN (ID Code = QA)

Ref. No.	Part Name	Parts Per Pump	Part No.
153	Mechanical Seal Assembly	2	¹ 334439
153A	Stationary Seat (Steel)	2	**
153B	Seal Face (Carbon)	2	**
153C	Jacket Assembly	2	**
153D	O-Ring - Stationary (Buna-N)	2	711924
153E	O-Ring - Rotating (Buna-N)	2	711918

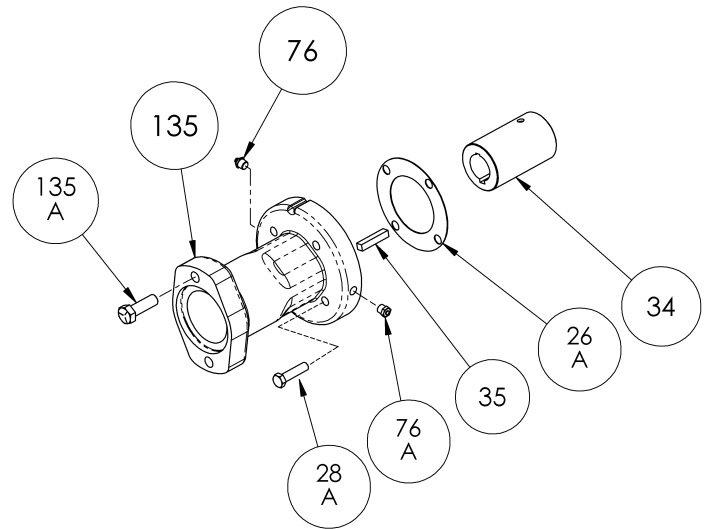
¹ Included in Maintenance Kit and Rebuild Kit

** NOTE: Mechanical Seal Ref. No. 153 is only sold as a complete assembly. Ref. Nos. 153A, 153B & 153C are not available as separate replacement parts.



OPTIONAL HYDRAULIC MOTOR ADAPTER PARTS

REF. NO.	PART NAME	PARTS PER PUMP	PART NO.
See Below	Hydraulic Motor Adapter Kit *	See Below	891458
26A	Gasket – Hydraulic Motor Adapter	1	383940
28A	Capscrew – Hydraulic Motor Adapter / Head	4	920369
34	Coupling w/ Setscrew	1	906967
35	Key – Coupling	1	909184
76	Grease Fitting	1	317815
76A	Grease Relief Fitting	1	701992
135	Hydraulic Motor Adapter	1	041828
135A	Capscrew – Adapter / Motor	2	920510



* Hydraulic Motor Adapter Kits shipped prior to Spring 2002 were of a two piece design – refer to page 206-C00.