

# BLACKMER PARTS LIST

960418  
Page 1 of 2

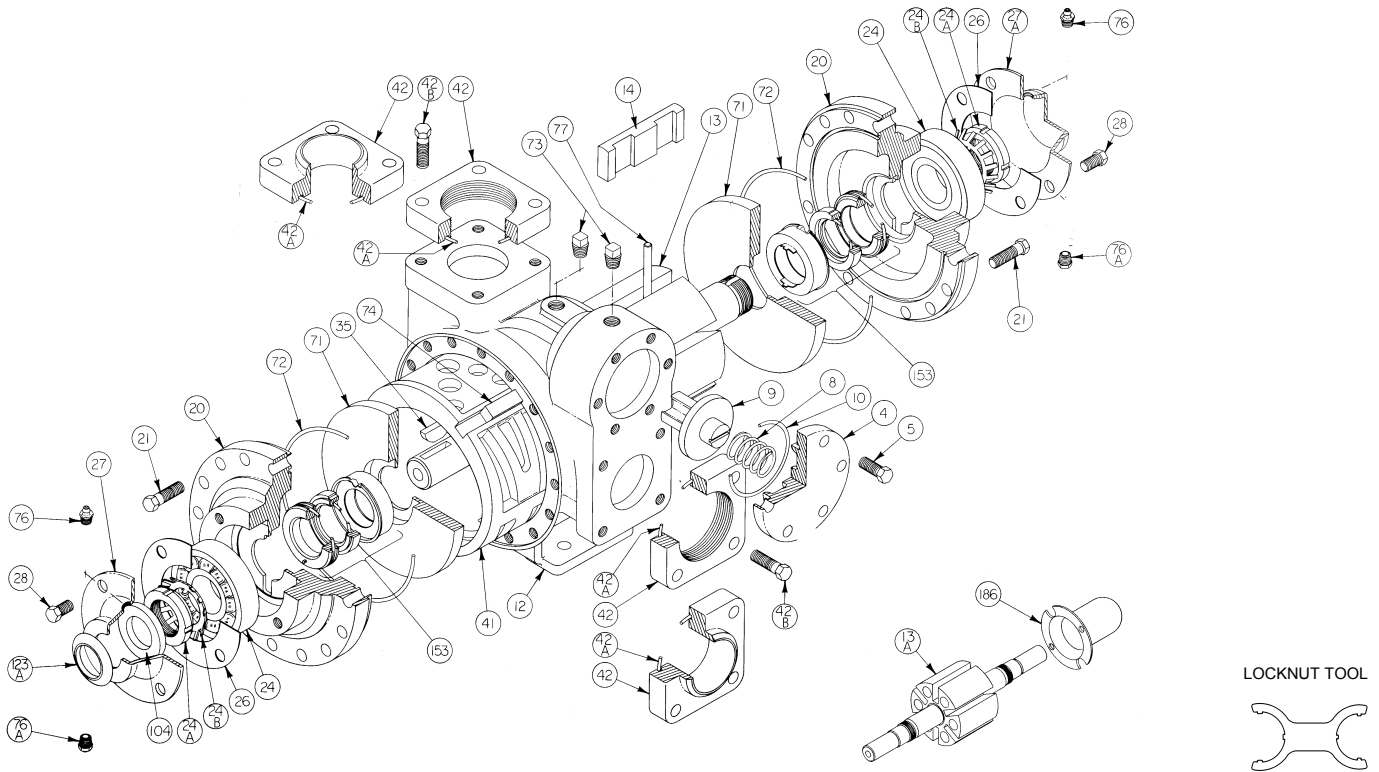
**PARTS LIST**  
**501-C01**

## PUMP MODELS: LGLD2E, LGLD3E

### DISCONTINUED MODELS: LGL2E, TLGLD2E, LGL3E, TLGLD3E

(See Instructions 501-C00 for Installation, Operation and Maintenance)

Section 501  
Effective August 2003  
Replaces August 2002



| Ref. No. | Description  | Parts Per Pump | Size 2 Part No.     | Size 3 Part No.     | Ref. No. | Description  | Parts Per Pump | Size 2 Part No.       | Size 3 Part No.       |
|----------|--|----------------|---------------------|---------------------|----------|--|----------------|-----------------------|-----------------------|
| 4        | Cover - Relief Valve (R/V)   | 1              | 414401              | 415113              | 41       | Liner  | 1              | <sup>2</sup> 184405   | <sup>2</sup> 185111   |
| 5        | Capscrews - R/V Cover  | 6              | 920331              | 920331              | 42       | Flange - NPT   | 2              | 654401                | 655112                |
| 8        | Spring - R/V   | 1              | 471423              | 475135              | 42       | Flange - Weld  | 2              | 654405                | 655102                |
| 9        | Valve - R/V (Std.)   | 1              | 454405              | 455129              | 42A      | O-Ring - Flange  | 2              | <sup>1</sup> 702004   | <sup>1</sup> 702002   |
|          | Valve - R/V (Nickel Plated)  |                | 454406              | 455100              | 42B      | Capscrew - NPT Flange                                    | 8              | 920384                | 920547                |
| 10       | O-Ring - R/V Cover   | 1              | <sup>1</sup> 701919 | <sup>1</sup> 701925 |          | Capscrew - Weld Flange                                   |                | 920351                | 920510                |
| 12       | Casing   | 1              | 014405              | 015127              | 71       | Disc   | 2              | <sup>1</sup> 064412   | <sup>1</sup> 065112   |
| 13       | Rotor & Shaft Assy. - LGL<br>(Includes Ref. Nos. 24A & 24B)            | 1              | 264443              | 265149              | 72       | O-Ring - Head  | 2              | <sup>1</sup> 702022   | <sup>1</sup> 702041   |
| 13A      | Rotor & Shaft Assy. - LGLD & TLGLD**<br>(Includes Ref. Nos. 24A & 24B) | 1              | <sup>2</sup> 264445 | <sup>2</sup> 265148 | 73       | Gage Plug  | 2              | 908198                | 908198                |
|          |  |                |                     |                     | 74       | Key - Liner †  | 1              | <sup>2</sup> 183991   | <sup>2</sup> 185191   |
| 14       | Vane - Duravane (Std.)   | 6              | <sup>1</sup> 091419 | <sup>1</sup> 095131 | 76       | Grease Fitting   | 2              | 317815                | 317815                |
| 20       | Head   | 2              | 034416              | 035128              | 76A      | Grease Relief Fitting                                    | 2              | 701992                | 701992                |
| 21       | Capscrews - Head (Size 2)  | 32             | 920351              | N/A                 | 77       | Push Rod   | 3              | <sup>1,3</sup> 123905 | <sup>1,3</sup> 125105 |
|          | Capscrews - Head (Size 3)  | 40             | N/A                 | 920369              | 104      | Grease Seal  | 1              | <sup>1,3</sup> 331918 | <sup>1,3</sup> 331908 |
| 24       | Ball Bearing   | 2              | <sup>1</sup> 903156 | <sup>1</sup> 903172 | 123A     | Dirt Shield  | 1              | <sup>1</sup> 701480   | N/A                   |
| 24A      | Locknut - Bearing  | 2              | <sup>2</sup> 903521 | <sup>2</sup> 903523 | 186      | Shaft Protector<br>(TLGLD Models Only)                   | 1              | 341601                | 341801                |
| 24B      | Lockwasher - Bearing   | 2              | <sup>1</sup> 903522 | <sup>1</sup> 903524 | —        | Tool - Locknut   | —              | 903091                | 903091                |
| 26       | Gasket - Bearing Cover   | 2              | <sup>1</sup> 383940 | <sup>1</sup> 385125 | —        | Kit - Maintenance - LPG (Q0)                             | —              | 898920                | 898921                |
| 27       | Bearing Cover (Inboard) <sup>3</sup>                                   | 1              | 041431              | 041815              | —        | Kit - Maintenance - NH <sub>3</sub> OR DUAL SERVICE (QA) | —              | 898979                | 898981                |
| 27A      | Bearing Cover (Outboard) <sup>4</sup>                                  | 1              | 041433              | 041817              | —        | Kit - Rebuild - LPG (Q0)                                 | —              | 899020                | 899021                |
| 28       | Capscrews - Bearing Cover  | 8 - 12         | 920285              | 920285              | —        | Kit - Rebuild - NH <sub>3</sub> OR DUAL SERVICE (QA)     | —              | 899079                | 899081                |
| 35       | Key - Shaft  | 1              | <sup>1</sup> 909130 | <sup>1</sup> 909130 |          |  |                |                       |                       |

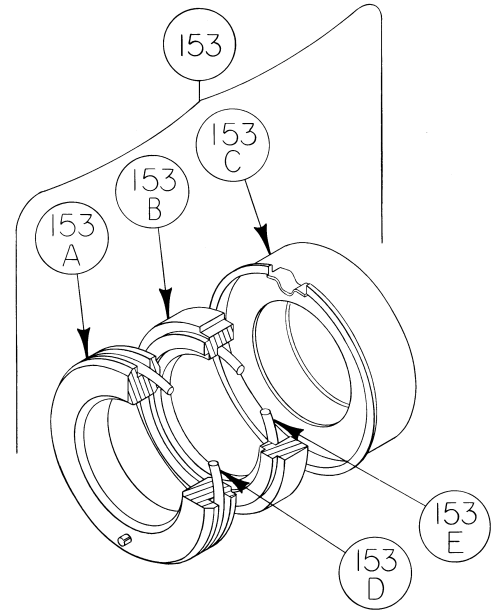
<sup>1</sup> Included in Maintenance Kit and Rebuild Kit      <sup>2</sup> Included in Rebuild Kit      \*\* Double-Ended Rotor & Shaft.  
The Following applies to double end shaft pump models LGLD2E, TLGLD2E, LGLD3E & TLGLD3E: <sup>3</sup> Use Two <sup>4</sup> Use None  
† — Pump Models Before 1995 Require Key 184407.  
Keep this parts list with Installation, Operation and Maintenance Instructions.

**MECHANICAL SEAL – LPG – SNCN (ID Code = Q0)**

| Ref. No. | Part Name                    | Parts Per Pump | Size 2 Part No.     | Size 3 Part No.     |
|----------|------------------------------|----------------|---------------------|---------------------|
| 153      | Mechanical Seal Assembly     | 2              | <sup>1</sup> 331652 | <sup>1</sup> 335125 |
| 153A     | Stationary Seat (Steel)      | 2              | **                  | **                  |
| 153B     | Seal Face (Carbon)           | 2              | **                  | **                  |
| 153C     | Jacket Assembly              | 2              | **                  | **                  |
| 153D     | O-Ring - Stationary (Buna-N) | 2              | 711924              | 702025              |
| 153E     | O-Ring Rotating (Buna-N)     | 2              | 711918              | 711912              |

<sup>1</sup> Included in Maintenance Kit and Rebuild Kit

\*\* NOTE: Mechanical Seal Ref. No. 153 is only sold as a complete assembly. Ref. Nos. 153A, 153B & 153C are not available as separate replacement parts.



**MECHANICAL SEAL – NH<sub>3</sub> OR DUAL SERVICE – SNCN (ID Code = QA)**

| Ref. No. | Part Name                    | Parts Per Pump | Size 2 Part No.     | Size 3 Part No.     |
|----------|------------------------------|----------------|---------------------|---------------------|
| 153      | Mechanical Seal Assembly     | 2              | <sup>1</sup> 334439 | <sup>1</sup> 335225 |
| 153A     | Stationary Seat (Steel)      | 2              | **                  | **                  |
| 153B     | Seal Face (Carbon)           | 2              | **                  | **                  |
| 153C     | Jacket Assembly              | 2              | **                  | **                  |
| 153D     | O-Ring - Stationary (Buna-N) | 2              | 711924              | 702025              |
| 153E     | O-Ring Rotating (Buna-N)     | 2              | 711918              | 711912              |

<sup>1</sup> Included in Maintenance Kit and Rebuild Kit

\*\* NOTE: Mechanical Seal Ref. No. 153 is only sold as a complete assembly. Ref. Nos. 153A, 153B & 153C are not available as separate replacement parts.

**OPTIONAL HYDRAULIC MOTOR ADAPTER PARTS**

| Ref. No.  | Part Name                                 | Parts Per Pump | Size 2 Part No. | Size 3 Part No. |
|-----------|---|----------------|-----------------|-----------------|
| See Below | <b>Hydraulic Motor Adapter Kit</b>        | See Below      | 894425          | 895140          |
| 26A       | Gasket- Hydraulic Motor Adapter           | 1              | 383940          | 381817          |
| 28A       | Capscrew – Hydraulic Motor Adapter / Head | 4 / 6          | 920369          | 920369          |
| 34        | Coupling w/ Setscrew                      | 1              | 906967          | 906967          |
| 35        | Key – Coupling                            | 1              | 909184          | 909184          |
| 76        | Grease Fitting                            | 1              | 317185          | 317815          |
| 76A       | Grease Relief Fitting                     | 1              | 701992          | 701992          |
| 135       | Hydraulic Motor Adapter                   | 1              | 041827          | 041831          |
| 135A      | Capscrew – Adapter / Motor                | 2              | 920510          | 920510          |

\* Hydraulic Motor Adapter Kits shipped prior to Spring 2002 were of a two piece design – refer to page 206-C00.

