

# BLACKMER PARTS LIST

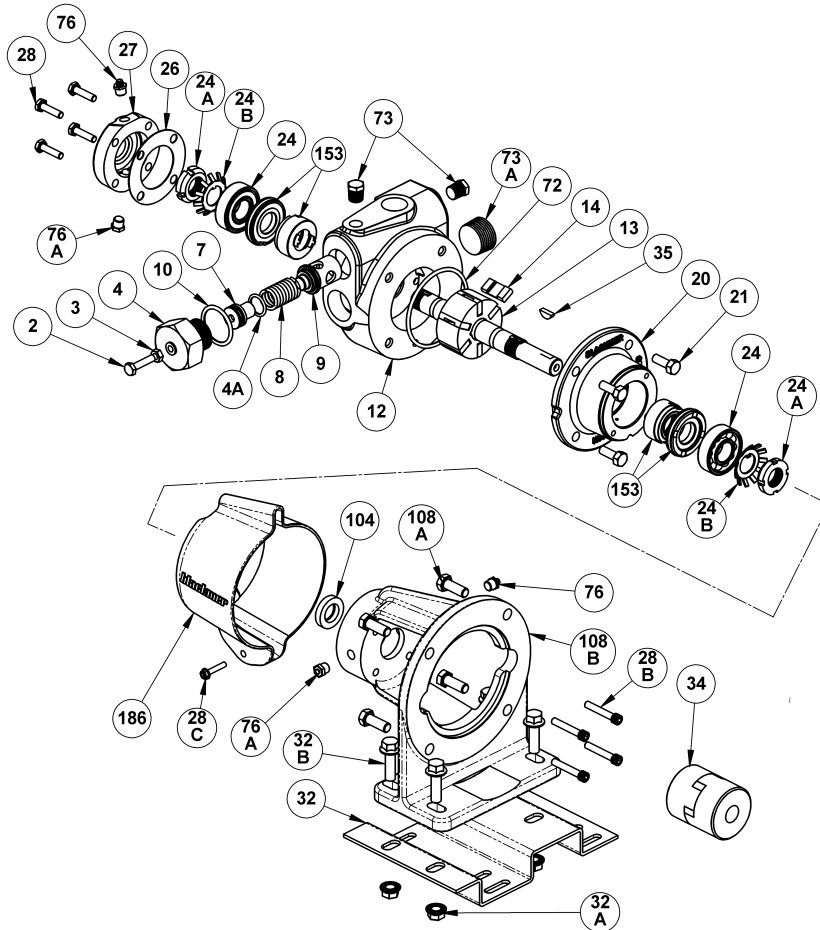
## PUMP MODELS: LDF1A, LDF1PA,

(See Instructions 501-F00 for Installation, Operation and Maintenance)

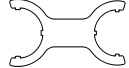
960404  
Page 1 of 2

**PARTS LIST**  
**501-F01**

Section Effective Replaces	501 September 2003 New
----------------------------	------------------------------



LOCKNUT TOOL



Ref. No.	Description	Parts per Pump	Part No.	Ref. No.	Description	Parts per Pump	Part No.
2	Adjusting Screw – Relief Valve (R/V)	1	432901	28C	Guard Screw	1	920026
3	Locknut – Adjusting Screw	1	922811	32	Bent Metal Base	1	901980
4	Cover – R/V	1	412901	32A	Nut	4	923053
4A	O-Ring – Spring Guide	1	<sup>1</sup> 711940	32B	Capscrew	4	920950
7	Spring Guide – R/V	1	422901	34	Coupling Half – Pump	1	906150
8	Spring – R/V	1	472901		Coupling Half – Motor (56C)		906151
9	Valve – R/V	1	452902		Coupling Half – Motor (143-145TC/184C)		906147
10	O-Ring – R/V Cover	1	<sup>1</sup> 701965		Coupling Spider		906155
12	Cylinder – LDF1	1	022914	35	Key – Shaft	1	<sup>1</sup> 909126
	Cylinder – LDF1P		022915	72	O-Ring – Head	1	<sup>1</sup> 711941
13	Rotor & Shaft Assembly (Includes Ref. Nos. 24A & 24B)	1	262907	73	Gage Plug (1/4")	2	908198
14	Vane – Duravane (Std.)	6	<sup>1</sup> 092913	73A	Gage Plug (1")	1	908233
20	Head	1	032905	76	Grease Fitting	2	317815
21	Capscrews – Head	4	920178	76A	Grease Relief Fitting	2	701992
24	Ball Bearing	2	<sup>1</sup> 903405	104	Grease Seal	1	<sup>1</sup> 331934
24A	Locknut – Bearing	2	903531	108A	Capscrews – Bracket	4	920331
24B	Lockwasher – Bearing	2	<sup>1</sup> 903532	108B	Bracket (C-faced footed)	1	833000
26	Gasket – Bearing Cover	1	<sup>1</sup> 383075	186	Guard	1	804120
27	Bearing Cover	1	043071		Tool - Locknut		903090
28	Capscrews – Bearing Cover	4	920080		Kit - Maintenance		898994
28B	Bracket Mounting Screws	4	920101				

<sup>1</sup> Included in Maintenance Kit.

Keep this parts list with Installation, Operation and Maintenance Instructions.

**MECHANICAL SEAL**

Ref. No.	Part Name	Parts Per Pump	Part No.
153	Mechanical Seal Assembly	2	<sup>1</sup> 332920
153A**	Jacket Assembly – Seal	2	332922
153B**	Stationary Seat (Steel)	2	332901
153D	O-Ring – Stationary Seat (Buna-N)	2	711916
153F**	Seal Face (Carbon)	2	332902
153G	O-ring – Rotating (Buna-N)	2	711939

<sup>1</sup> Included in Maintenance Kit\*\* Ref. Nos. 153A, 153B & 153F are not availal

