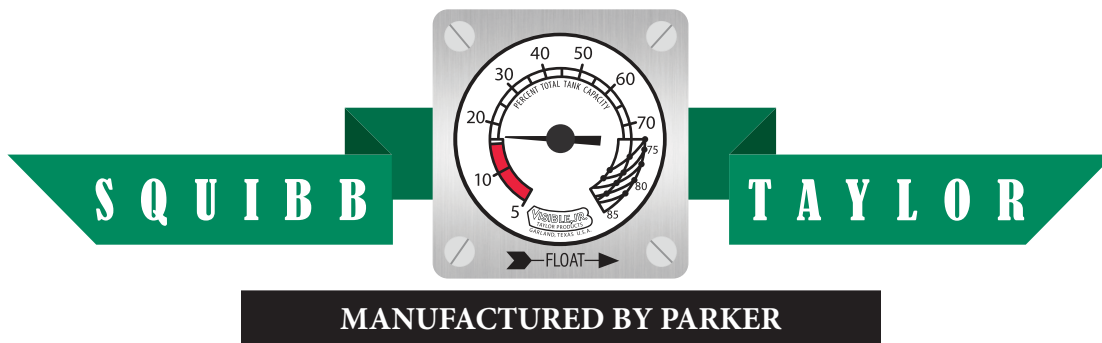


2016
Anhydrous Ammonia
Storage Plant
Catalog



USER SAFETY RESPONSIBILITY STATEMENT

For All Anhydrous Ammonia & LP-Gas Products Offered by Squibb-Taylor

FAILURE OR IMPROPER SELECTION OR IMPROPER USE OF THE PRODUCTS DESCRIBED HEREIN OR RELATED ITEMS CAN CAUSE DEATH, PERSONAL INJURY OR PROPERTY DAMAGE.

- This document and other information from Squibb-Taylor, its subsidiaries and authorized distributors provide product or system options for further investigation by users having technical expertise.
- The user, through its own analysis and testing, is solely responsible for making the final selection of the system and components and assuring that all performance, endurance, maintenance, safety and warning requirements of the application are met. The user must analyze all aspects of the application, follow applicable industry standards, and follow the information concerning the product in the current product catalog and in any other materials provided from Squibb-Taylor or its subsidiaries or authorized distributors.
- To the extent that Squibb-Taylor or its subsidiaries or authorized distributors provide components or system options based upon data or specifications provided by the user, the user is responsible for determining that such data and specifications are suitable and sufficient for all applications and reasonably foreseeable uses of the components or systems.

Section Contents



The Layout of this Catalog is set up to mirror a typical NH3 Storage Facility. The first section begins at the Bulkhead or Transport Unload and includes all Plumbing and Piping Equipment up to the Storage Tank. Section two includes all Parts attached to the Storage Vessel itself. Section three includes Pumps, Compressors, and Motors. The fourth section includes all Parts and Equipment that is placed at the Riser or Nurse Tank Filling Station. The final section includes Gaskets, Parts, Repair Kits, & Miscellaneous Equipment relevant to all sections.

Plumbing & Piping Equipment			
• Acme Adaptors	2	• Flow Indicators	12
• Acme Caps and Plugs	3	• Globe Valves	4
• Angle Valves	4	• Hi-Flow Pipe Strainer	3
• Back Check Valves	13-14	• Needle Valves	11
• Ball Valves	4	• Sight Glass Fittings	11
• Electronic Actuator for ESV	5	• SS Flex Connectors	1
• Emergency Shutoff Valves & Accessories	6-8	• Transfer Area Bulkhead	1
• ESV Accessories & RSD E-Box	9-10	• Valve Locks	11
• Excess Flow Valves	13	• Y-Strainers	11

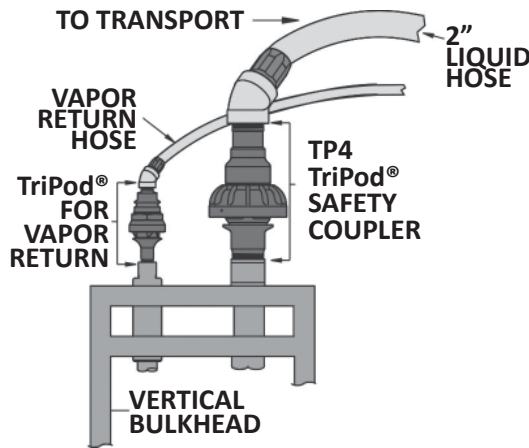
Storage Tank Equipment			
• Container Thermometers	24	• Master Gauges	25-26
• Electronic Actuator for Internal Valve	15	• Pressure Gauges	24
• Gauge Snubber	24	• Relief Valve Manifold	21-22
• Hydrostatic Relief Valves	21	• Relief Valves & Adaptors	21-23
• Internal Valves, Actuators, & Accessories	15-20	• Rotary Gauges	28
• Liquid Level Vent Valves	24	• The Eliminator™ Gauge	27

Pumps, Compressors, & Motors			
• Baldor Motors	39	• Corken Compressor Parts	50
• Blackmer Pumps	39	• Corken Pumps	30
• Blackmer Pumps - Repair Kits & Parts	40	• Corken Pumps - Repair Kits & Parts	31-32
• Blackmer Pumps Breakdown - LGLD2E	41-42	• Corken Pumps Breakdown - 521 & 1021	33-34
• Blackmer Pumps Breakdown - LGLD3F	43-44	• Corken Pumps Breakdown - Z2000	35
• Blackmer Pumps Breakdown - LGL3021A	45-46	• Corken Pumps Breakdown - Z3500	36
• Blackmer Pumps Breakdown - LGLD4B	47-48	• Corken Pumps Breakdown - Z4500	37
• Bypass Valves	29	• Corken Pumps Breakdown - 1769-XRA	38
• Corken Compressors	49		

Nurse Tank Fill Station (Riser) Equipment			
• Minimum Bleed Hose End Valves	53	• RotaSeal Hose Swivel	53
• Parker Hose Assemblies	52	• Safety Fill Adaptor for Quick Jaw	53
• Quick Jaw Hose End Valve	53	• Snap Acting Hose End Valves	52
• Riser Valves	50	• TriPod Pull-Aways & Parts	50-51

Gaskets & Parts			
• Gaskets & O-Rings	55	• MEC Repair Kits & Parts	58
• Fisher Repair Kits & Parts	57	• Squibb-Taylor Repair Kits & Parts	56

Transfer Area Bulkhead			
Item Number	Part Number	Sleeve Style	Opening Sizes
790000	1000	Horizontal	2" X 1 1/4"
790005	1001		3" X 2"
790010	1002	Vertical	2" X 1 1/4"
790015	1003		3" X 2"
790020	1006	Horizontal	2" X 1 1/4" X 3"



Typical Bulkhead Installation



Horizontal

SS Flex Connectors					
Item Number	Connection Size	Length	Working Pressure	Burst Pressure	Material
200799	1 1/4"	18"	850 PSI	3,398 PSI	Stainless Steel Double Braid w/Hex Wrenching Flats Tagged with WP, BP, & Manufacture Date
200800		24"			
200803	2"	18"	826 PSI	3,302 PSI	
200835		24"			
200810	3"	18"	506 PSI	2,022 PSI	
200845		24"			

Other sizes, lengths, weld ends, & flange ends available.



200799



Flex with Flanges

Male Acme X MNPT						
Item Number	Part Number	Male Acme Connection	MNPT Connection	Acme Gasket	Steel Acme Cap & Chain	Plastic Acme Cap & Chain
111431	A2003S	1 3/4"	1 1/4"	ST-1102A-16	A1152C	A2080C
111569	A2076		1 1/2"			
111539	A2060S	2 1/4"	1 1/4"	ST-1E8126	A1175CS	ST-1177C
111570	A2077		1 1/2"			
111546	A2063S	3 1/4"	2"	ST-1E8128	A1176CS	ST-ME106-1
111556	A2065S		3"			

High Flow Pipe Strainers on Page 3.

Acme O-Rings available on Page 55.

Male Acme X FNPT						
Item Number	Part Number	Male Acme Connection	FNPT Connection	Acme Gasket	Steel Acme Cap & Chain	Plastic Acme Cap & Chain
111561	A2074S	3 1/4"	2"	ST-1E8128	A1176CS	ST-ME106-1
111566	A2075S		3"			

High Flow Pipe Strainers on Page 3.

Acme O-Rings available on Page 55.

Male Acme X Male Acme						
Item Number	Part Number	Male Acme Connection	Male Acme Connection	Acme Gasket	Steel Acme Cap & Chain	Plastic Acme Cap & Chain
111436	A2005S	1 3/4"	1 3/4"	ST-1102A-16	A1152C	A2080C
111446	A2007S	2 1/4"	2 1/4"	ST-1E8126	A1175CS	ST-1177C
122107	ST-M536-26	3 1/4"	3 1/4"	ST-1E8128	A1176CS	ST-ME106-1

Acme O-Rings available on Page 55.

Adaptor Caps						
Item Number	Part Number	Male Acme Connection	Female Acme Connection	Acme Gasket	Steel Acme Cap & Chain	Plastic Acme Cap & Chain
150573	ST-M611S	1 3/4"	2 1/4"	ST-1102A-16	A1152C	A2080C Strap
122131	ST-M622		3 1/4"			

Acme O-Rings available on Page 55.



A2077



A2074S



A2005S



ST-M622

Female Acme Caps & Plugs						
Female Acme	Item Number	Part Number	Item Number	Part Number	Item Number	Part Number
	Plastic Cap		Steel Cap		Strap / Chain	
1 3/4"	111580	A2080	-----	-----	111587	A2080-1003 Strap
	111585	A2080C *	-----	-----		
2 1/4"	-----	-----	110680	A1152C *	150553	MEP167 Chain
	111586	ST-1177 *	-----	-----		
3 1/4"	-----	-----	110696	A1175CS *		
4 1/4"	-----	-----	110701	A1176CS *		
4 1/4"	-----	-----	122140	M625-34		
Plastic Plug		Aluminum Plug		Chain		
1 3/4"	121711	ST-M179-1 *	121792	ST-M239	150553	MEP167 Chain
2 1/4"	121716	ST-M180-1 *	-----	-----		
3 1/4"	121728	ST-M181-1 *	Steel Plug			
4 1/4"	-----	-----	122095	M535-34		

* Chain included.



A2080C



A1152C



A1176CS

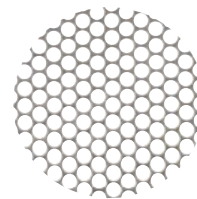
Hi-Flow Pipe Strainers			
Item Number	Part Number	Inlet	Outlet
111396	AL1750	2" FNPT	2" MNPT
111547	A2063-STR	2" MNPT	3 1/4" Male Acme
111549	A2065-STR	3" MNPT	
111551	A2074-STR	2" FNPT	
111553	A2075-STR	3" FNPT	
150588	ME251-02	Replacement 3 1/4" Acme Strainer Screen	
150589	ME251-03	Retaining Ring For ME251-02	



AL1750



A2063-STR



ME251-02



ME251-03

Globe & Angle Valves						
Item Number	Part Number	Inlet & Outlet	Type	Repair Kit	Bonnet Assembly	Stem & Disc Assembly
110320	AL312P	1-1/4" FNPT	Globe	312-22	312-25	312-26
110335	AL313P		Angle			
110375	AL316P	2" FNPT	Globe	316-22	316-25	316-26
110395	AL317P		Angle			
110378	AL316FP	2" ANSI Flange	Globe	316-22	316-25	316-26
110398	AL317FP		Angle			
110415	AL320P	3" FNPT	Globe	320-22	320-25	320-26
110425	AL321P		Angle			
110420	AL320FP	3" ANSI Flange	Globe	320-22	320-25	320-26
110429	AL321FP		Angle			



AL316P



AL317P



AL316FP



AL321FP

Jomar Stainless Steel Ball Valves										
	Part Description	1/4"	3/8"	1/2"	3/4"	1"	1 1/4"	1 1/2"	2"	3"
Item Number	Full Port	223142	223143	223138	223131	223132	223133	223139	223134	-----
Part Number		100-961	100-962	100-963	100-964	100-965	100-966	100-967	100-968	
Item Number	3 Piece Full Port	223725	223728	-----	223718	223724	223719	223721	223720	223723
Part Number		500-301	500-302		500-304	500-305	500-306	500-307	500-308	500-310



100-966



500-306



73A-106

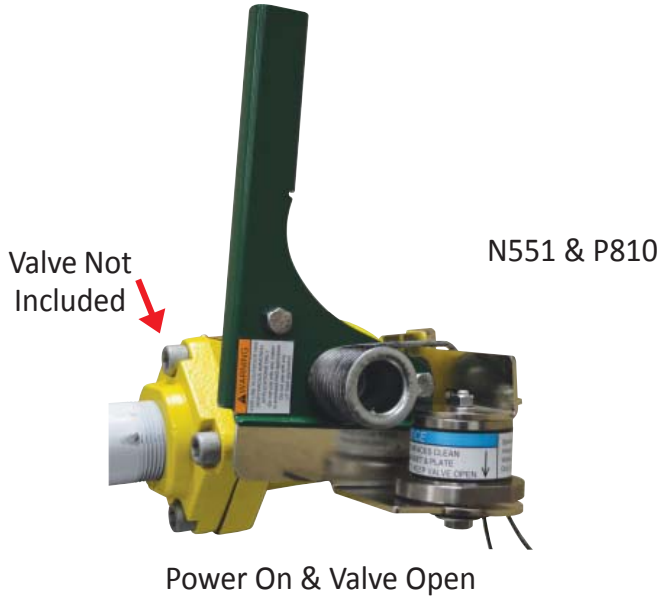
Apollo Steel Ball Valves										
	Part Description	1/4"	3/8"	1/2"	3/4"	1"	1 1/4"	1 1/2"	2"	3"
Item Number	Carbon Steel Standard Port	198450	198455	198460	198465	198470	198475	198480	198485	-----
Part Number		73A-101	73A-102	73A-103	73A-104	73A-105	73A-106	73A-107	73A-108	

Electronic Actuator For ESV

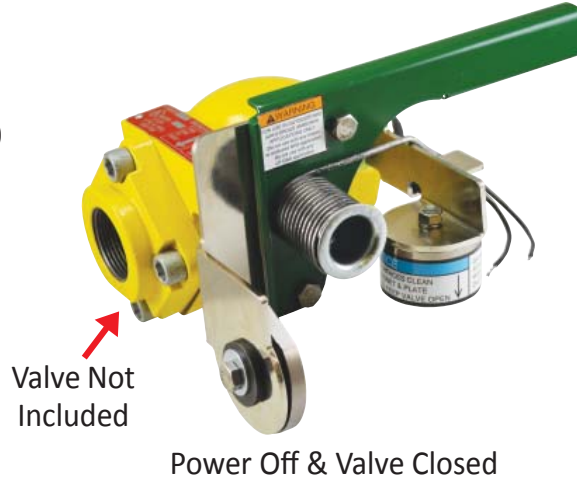
Item Number	Part Number	Description
122939	P810	12 Volt Electronic Actuator for N550/551 ESV Anhydrous Ammonia (NH3) Service Only.



P810



Power On & Valve Open



Power Off & Valve Closed

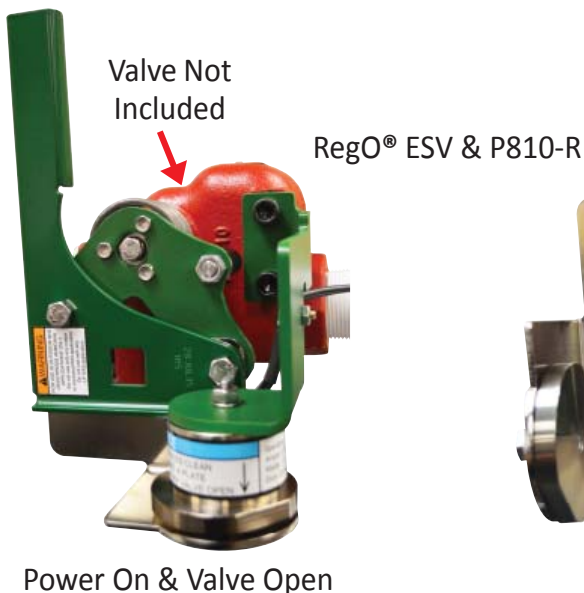
Electronic Actuator For ESV

Item Number	Part Number	Description
113807	P810-R	12 Volt Electronic Actuator for RegO® ESV's For Anhydrous Ammonia (NH3) Service Only.

RegO® is a trademark of Engineered Controls International, LLC.



P810-R



Power On & Valve Open



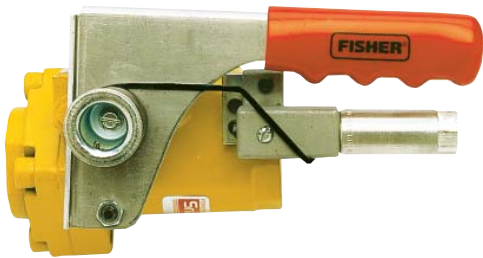
Power Off & Valve Closed

Fisher Emergency Shutoff Valves



Fisher Emergency Shutoff Valves				
Item Number	Part Number	Body Size	Flow - NH3	Excess Flow
122586	N551-10	1 1/4" FNPT	47 GPM	No
122589	N551-16	2" FNPT	70 GPM	No
122596	N551-24	3" FNPT	178 GPM	No
122588	N562-26 *	2" FNPT X	180 GPM	Yes
122597	N563-26 *	3 1/4" Male Acme	372 GPM	No

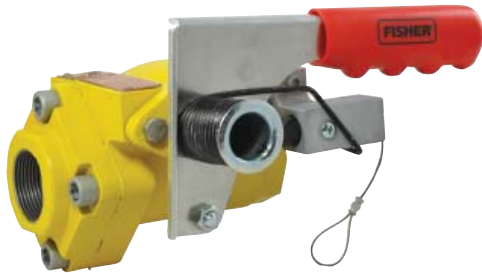
* For Railroad tank cars. Pneumatic operation only.



N551 & P327D



N562-26



N551-10



N551 & P539A

N550 & N551 Parts & Accessories			
Item Number	Part Number	Part Description	Fits
122927	P327D	Actuator - Close Only	N550 & N551
122937	P539A	Actuator - Open / Close	N550 & N551
122692	P164B	50' Cable Release Assembly	N550 & N551
122978	P551	Helper Spring Kit - Cable	N550 & N551
122979	P551A	Helper Spring Kit With P327D	N550 & N551
129079	T13090-T0012	Packing Assembly Kit	N550
125047	RCN551T0012		N551
129078	T12963-T0012	Latch Block Assembly	N550 & N551
129896	T13500-T0012	Fuse Link Assembly	N550 & N551
129274	T20677-T0012	Handle Only	N550 & N551
129758	T12928-T0012	Handgrip Only	N550 & N551
129275	T20714-T0012	Handle and Handgrip Assy.	N550 & N551

MEC Emergency Shutoff Valves							
Item Number	Part Number	Body Size	Latch Type	Material	Flange Material	OAL	
154500	ME980-10	1 1/4" FNPT	Pneumatic	Ductile Iron	Ductile Iron	5 3/8"	
154515	ME980C-10		Cable				
154525	ME980-16	2" FNPT	Pneumatic		Cast Iron	6 7/8"	
154540	ME980C-16		Cable				
154550	ME980-24	3" FNPT	Pneumatic		Ductile Iron	9 5/8"	
154565	ME980C-24		Cable				
154570	ME980-16-2F	2" - 300 Lb. Flange	Pneumatic			Ductile Iron	11 7/8"
154585	ME980C-16-2F		Cable				
154590	ME980-24-3F	3" - 300 Lb. Flange	Pneumatic				14 1/8"
154605	ME980C-24-3F		Cable				
154610	ME980-24-4F	4" - 300 Lb. Flange	Pneumatic		14 1/4"		
154625	ME980C-24-4F		Cable				

To order ESV with Pneumatic Actuator add "A" after the prefix part number i.e. ME980A-10.

To order ESV with Rotary Actuator add "AR" after the prefix part number i.e. ME980AR-10.



ME980-6



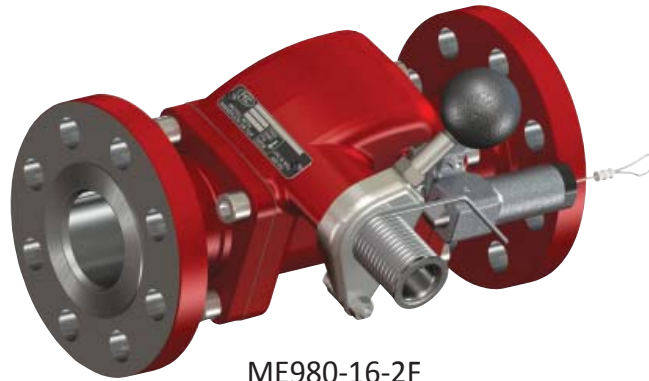
ME980-10



ME980-24



ME983



ME980-16-2F

MEC Railcar ESV			
Item Number	Part Number	Body Size	Closing Flow GPM
154400	ME983-16/500	2" FNPT	450

MEC ESV Air Actuators				
Item Number	Part Number	Type	Operating Pressure Limits	Fits
150602	ME551	Air	Minimum = 20 PSIG Maximum = 125 PSIG Recommended = 20 - 25 PSIG	ME980-10, ME980-16, ME980-16-2F, ME980-24, ME980-24-3F, & ME980-24-4F
150609	ME552	Rotary		



ME551



ME552

MEC ESV Accessories			
Item Number	Part Number	Type	Description
154640	ME980-905	Universal ESV/Internal Valve Remote Release	No Cable
154642	ME980-905-25		W/25' Cable
154643	ME980-905-50		W/50' Cable
154645	ME980-906-25	Remote Release Cable Assembly	5/16-24UNF — 25' OAL
154647	ME980-906-50		5/16-24UNF — 50' OAL



ME980-905

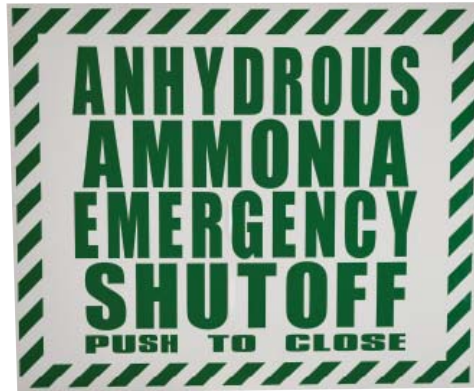


ME980-905-25

Air Accessories		
Item Number	Part Number	Part Description
404200	250V-3-10-21	Pull Lever Actuating Air Valve
404185	M3820602	Lexair Valve — Push Button
404206	NB-4-035	1/4" Poly Tubing
650088	Push To Close Decal — Electric or Air	
404186	ESV Sign Post For Lexair Valve — Electric or Air	



250V-3-10-21



V-82



M3820602



NB-4-035



ESV Sign Post

Pneumatic Tubing Push Connectors		
Item Number	Part Number	Part Description
404300	32095611	1/4" Tube X 1/8" MNPT 90°
404302	32095614	1/4" Tube X 1/4" MNPT 90°
404304	32755611	1/4" Tube X 1/8" MNPT
404306	32755614	1/4" Tube X 1/4" MNPT
404308	31085611	1/4" Tube X 1/8" MNPT Branch Tee
404310	31085614	1/4" Tube X 1/4" MNPT Branch Tee
404312	32065600	1/4" Coupling
404314	32045600	1/4" Tube Tee



32095614



32755614



31085614



32045600

Other Fittings Available.

RSD E-Box & Accessories		
Item Number	Part Number	Part Description
113800	RSD E-Box	Storage Remote Shutdown
113801	CV-Box	15 Amp Converter Box
113805	RSD-E1	1 - Function Transmitter
113806	E-Stop5A	Push To Close Button — Electric 5 Amp
113813	E-Stop15A	Push To Close Button — Electric 15 Amp
113802	RSD-SVH-AA	Solenoid Valve Module For Air Actuators



RSD E-Box



CV-Box



RSD-E1



E-Stop5A



E-Stop15A



RSD-SVH-AA

Y-Strainers			
Item Number	Size, MNPT	Strainer	Plug Size
200707	1 1/4" FNPT	40 Mesh	3/4"
200725	2" FNPT		1"
200726	3" FNPT		1 1/4"

20 & 80 Mesh screen sizes available.



200725

Y-Strainer Parts		
Item Number	Size	Description
200754	1 1/4"	20 Mesh Strainer Screen
200756	2"	
200758	3"	
200762	3"	60 Mesh Strainer Screen
200781	1 1/4"	80 Mesh Strainer Screen
200783	3"	Strainer Gasket



200756



200783

Valve Locking Device	
Item Number	Description
360137	Fits Standard Globe, Angle, & Tank Valves From 3/4" To 2" (Up To 4 3/4" Handwheel Diameter)
360138	Fits Standard 3" Globe & Angle Valves (Up To 8" Handwheel Diameter)



360138

Needle Valves				
Item Number	Part Number	Body Style	Inlet	Outlet
118203	V556CDT-H7	Globe	1/4" MNPT	1/4" FNPT
118204	V552CDT-H7	Angle		



V556CDT-H7

In-Line Sight Flow		
Item Number	Part Number	Description
111401	A1742	2" Sight Flow
150622	ME875S-16	2" Sight Flow Swing Check *
111402	A1743	3" Sight Flow
150623	ME875S-24	3" Sight Flow Swing Check *
111403	A483	2" Sight Glass Tee



A483



A1742



ME875S-16

* Soft Seat.

Flow Indicators



Indicates direction of flow of Anhydrous Ammonia(NH3) in piping at working pressures up to 500 psig [34 Bar]. The indicator must be installed in piping tees.

The head, center shaft, support tube, bearings and vane in these indicators are made of 300 Series stainless steel. Magnets are nickel-plated Alnico, and the threaded mounting adapters are forged steel. The hermetically sealed dial has a large 4" dial face capable of showing flow in both directions or the absence of flow. **Note: Torque mounting bolts to 140 to 150 in-lb.**

Flow Indicator Standard Sizes

Item Number	Part Number	Pipe Size	Complete Assembly Includes
130050	5520-2 Complete	2"	5520-2 Flapper, 5520R Dial, 5305 2" Adapter, Screws , Spirotallic Gasket.
130055	5520-2 1/2 Complete *	2 1/2"	5520-2 1/2 Flapper, 5520R Dial, 5305 2" Adapter, Screws, Spirotallic Gasket.
130060	5520-3 Complete **	3"	5520-3 Flapper, 5520R Dial, 5305 2" Adapter, Screws, Spirotallic Gasket.

* Requires a 2 1/2" X 2" Hex Bushing - Sold Separately ** Requires a 3" X 2" Hex Bushing - Sold Separately

Flow Indicator Parts

Item Number	Part Number	Case Quantity
130046	5520R Dial *	1 Pc.
130065	5520-2 Flapper Only	1 Pc.
130070	5520-2 1/2 Flapper Only	1 Pc.
130075	5520-3 Flapper Only	1 Pc.
130131	Sr. Spirotallic Gasket	1 Pc.
403631	SS Cap Screws	1 Pc.
130045	5520T Dial *	1 Pc.
118405	5305 2" MNPT X Sr. Head Adaptor	1 Pc.

* Includes Dial, Bezel, Bracket and Screws.



130050



130046

Replacement Dial Ordering Information



Old Style Head



130045

Bracket mounts on top and is secured by two screws on the side of head.

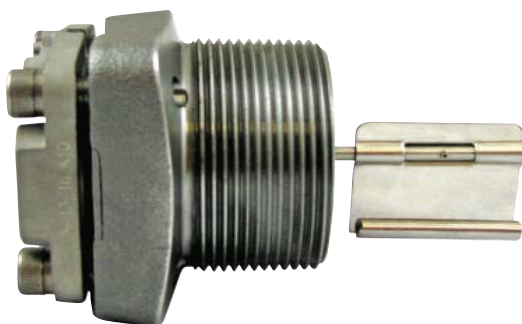


New Style Head



130046

Bracket mounts on top and is secured with dial screws.



5520-2	L Dimension = 3 13/16"
5520-2 1/2	L Dimension = 5 5/16"
5520-3	L Dimension = 5 15/16"

L Dimension is the distance from gasket surface to the end of the flapper.

Excess Flow Valves				
Item Number	Part Number	Inlet Connection	Outlet Connection	Closing Flow
111335	A1705-45	1 1/4" MNPT	1 1/4" FNPT	45 GPM
111381	A1717-1120	2" MNPT	2" FNPT	110 GPM
111356	AL1710			95 GPM
111371	A1714-225			3" MNPT
111340	A1706	1 1/4" MNPT	1 1/4" MNPT	50 GPM
111380	A1718	1 1/2" MNPT	1 1/2" MNPT	60 GPM
111347	A1708-95	2" MNPT	1 1/4" FNPT	95 GPM
111375	A1715-165	3" MNPT	2" MNPT	165 GPM
111382	A1715-225			225 GPM
111361	AL1711	2" MNPT	2" MNPT X 1 1/4" FNPT	95 GPM
111364	A1713-165	3" MNPT	3" MNPT X 2" FNPT	165 GPM
111365	A1713-225			225 GPM

Sizing Excess Flows - Refer To Local Codes.



A1717



AL1710



A1713

Back Check Valves			
Item Number	Part Number	Connection	Connection
111385	A1727	1 1/4" FNPT	1 1/4" MNPT
111390	A1728	2" FNPT	2" MNPT
111395	A1729	3" FNPT	3" MNPT
111400	A1733	2" MNPT	2" MNPT
111398	A1730	1 1/4" FNPT	1 1/4" FNPT



A1729



A1730



A1733

Fisher Back Check Valves					
Item Number	Part Number	Application	Connection	Connection	Flow Indicator
120840	G200-10	In-Line Full Flow Swing Check	1 1/4" FNPT	1 1/4" FNPT	No
120845	G200-16		2" FNPT	2" FNPT	
120847	G200-24		3" FNPT	3" FNPT	
120850	G201-10		1 1/4" FNPT	1 1/4" FNPT	Yes
120855	G201-16		2" FNPT	2" FNPT	
120860	G201-24		3" FNPT	3" FNPT	



G200-16



G201-16

MEC Swing Check Valves					
Item Number	Part Number	Inlet Connection	Outlet Connection	Material	OAL
154175	ME981-10	1 1/4" FNPT	1 1/4" FNPT	Ductile Iron	5 3/8"
154180	ME981-16	2" FNPT	2" FNPT	Cast Steel	6 7/8"
154190	ME981-24	3" FNPT	3" FNPT	Ductile Iron	9 5/8"
154205	ME981-901K	Dial Indicator for 1 1/4" to 3" Valves			

Has a Built-In Flow Indicator Mechanism.



ME981-10

Fisher 1 1/4", 2", & 3" Threaded Internal Valves

Item Number	Valve Only	Item Number	Valve With Manual Latch	Tank Connection	Outlet Connection
120430	C407-10-03	120438	C407M-10-03 *	1 1/4" MNPT	1 1/4" FNPT
120435	C407-10-05	120428	C407M-10-05 *		
120440	C407-10-08	120442	C407M-10-08 *		
Item Number	Straight Body (One Outlet)	Item Number	Tee Body (Two Outlets)	Tank Connection	Outlet Connection
120448	C477-16-105	120301	C471-16-105	2" MNPT	2" FNPT
120451	C477-16-150	120306	C471-16-150		
120458	C477-16-250	120311	C471-16-250		
120461	C477-24-160	120313	C471-24-160	3" MNPT	3" FNPT
120471	C477-24-260	120321	C471-24-260		
120476	C477-24-375	120326	C471-24-375		
120484	C477-24-460	120331	C471-24-460		

* Includes a factory installed Type P340 / P341 latch.



C407



C407M



C477



C471

Internal Valve Electronic Actuator

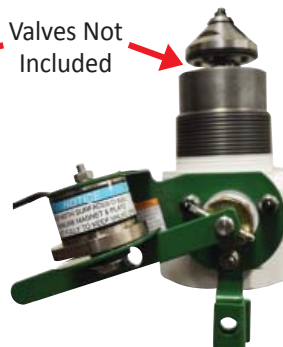
Item Number	Part Number	Description	Fits
113803	C810-F	12 VDC Electronic Actuator Only	Fisher® C402, C421, C427, C471, C477, & C486



C810-F



Power Off & Valve Closed



Power On & Valve Open

Valves Not Included



Valve Can Be Locked As Shown. Padlock & Valve Not Included.

Fisher Internal Valve Air Actuators					
Item Number	Part Number	Fits	Type	Obsolete Part Number	Supply Pressure Range, PSIG / bar
122931	P389	C407-10	Cylinder	-----	60 / 4,1 to 250 / 17,2
122988	P731		Rotary		50 / 3,5 to 125 / 8,6
122934	P639A	C402, C421, C427, C471, & C477	Brake Chamber	P326-6	20 / 1,4 to 12 / 8,6
122989	P739		Rotary	-----	25 / 1,7 to 125 / 8,6



P389



P639



P731

Fisher Internal Valve Cable Latches			
Item Number	Part Number	For Type Size	Release Type
122912	P340	2" & 3"	Latch
122925	P341	1 1/4"	
122919	P342		Bi-Directional Latch
122685	P163A	1 1/4", 2" 3" & 4"	Auxiliary Remote
122690	P164A		
122985	P650		
122987	P651 *		Primary Cable Control

* Type P651 is a primary control only, no accessories. # Use with Type P315 remote release mechanism.



P340



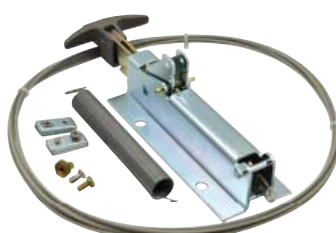
P341



P342



P163A — 25'
P164A — 50'



P650



P651

MEC 1 1/4" Threaded Internal Valves

Item Number	Part Number	Liquid Closing Flow Value	Actuation	Tank Connection	Outlet Connection
Straight Body (One Outlet)					
153920	ME990-10-35	35 GPM	Valve Only	1 1/4" MNPT	1 1/4" FNPT
153925	ME990-10-55	55 GPM			
153930	ME990-10-85	85 GPM			
153965	ME990M-10-35	35 GPM	Manual With ME990-10-902		
153970	ME990M-10-55	55 GPM			
153975	ME990M-10-85	85 GPM	Air With ME205		
153945	ME990A-10-85		Rotary With ME225		
153960	ME990AR-10-85				
Tee Body (Two Outlets)					
150288	ME992-10-85	85 GPM	Valve Only	1 1/4" MNPT	1 1/4" FNPT (2)

These valves are available with Kalrez®, Neoprene, & Viton® Trims.



ME990-10-85



ME990-16-160

MEC 2" Threaded Internal Valves

Item Number	Part Number	Liquid Closing Flow Value	Actuation	Tank Connection	Outlet Connection
153480	ME990-16-110	110 GPM	Valve Only	2" MNPT	2" FNPT
153485	ME990-16-160	160GPM			
153490	ME990-16-260	260 GPM			
153530	ME990M-16-160	160GPM	Manual With MEP990-24		
153535	ME990M-16-260	260 GPM			
153505	ME990A-16-260	260GPM	Air With ME206		
153520	ME990AR-16-260	260 GPM	Rotary With ME226		

These valves are available with Kalrez®, Neoprene, & Viton® Trims.

MEC 2" Threaded Tee Body Internal Valves					
Item Number	Part Number	Liquid Closing Flow Value	Actuation	Tank Connection	Outlet Connection
154800	ME992-16-160	160 GPM	Valve Only	2" MNPT	2" FNPT X 2" FNPT
150290	ME992-16-260	260 GPM			
154825	ME992M-16-160	160 GPM	Manual With MEP990-24		
154830	ME992M-16-260	260 GPM			
154805	ME992A-16-160	160 GPM	Air With ME206		
154810	ME992A-16-260	260 GPM			
154815	ME992AR-16-160	160 GPM	Rotary With ME226		
154820	ME992AR-16-260	260 GPM			

These valves are available with Kalrez®, Neoprene, & Viton® Trims.



ME992M-16-160



ME990-24-400

MEC 3" Threaded Internal Valves					
Item Number	Part Number	Liquid Closing Flow Value	Actuation	Tank Connection	Outlet Connection
153340	ME990-24-175	175 GPM	Valve Only	3" MNPT	3" FNPT X 3" FNPT
153345	ME990-24-250	250 GPM			
153350	ME990-24-300	300 GPM			
153355	ME990-24-375	375 GPM			
153360	ME990-24-400	400 GPM			
153370	ME990-24-500	500 GPM			
153430	ME990AR-24-400	400 GPM	Rotary With ME226		

These valves are available with Kalrez®, Neoprene, & Viton® Trims.

MEC 3" Threaded Tee Body Internal Valves

Item Number	Part Number	Liquid Closing Flow Value	Actuation	Tank & Outlet Connection
154855	ME992-24-175	175 GPM	Valve Only	3" MNPT X 3" FNPT X 3" FNPT
150283	ME992-24-250	250 GPM		
150285	ME992-24-375	375 GPM		
150295	ME992-24-400	400 GPM		
150298	ME992-24-500	500 GPM		
154895	ME992M-24-250	250 GPM	Manual With MEP990-24	
154900	ME992M-24-400	400 GPM		
154905	ME992M-24-500	500 GPM		
154860	ME992A-24-250	250 GPM	Air With ME206	
154865	ME992A-24-400	400 GPM		
154870	ME992A-24-500	500 GPM		
154875	ME992AR-24-175	175 GPM	Rotary With ME226	
154880	ME992AR-24-250	250 GPM		
154885	ME992AR-24-400	400 GPM		
154890	ME992AR-24-500	500 GPM		



ME992M-24-400

These valves are available with Kalrez®, Neoprene, & Viton® Trims.

Actuator Accessories For Nitrogen Service

Item Number	Part Number	Inlet	Outlet	Part Description
150583	ME707	3/8" FNPT	3/8" FNPT (2 Ports)	Quick Release Valve Used To Decrease Response Time When Closing Actuators.
150584	ME708 *	1/4" FNPT	1/4" FNPT	0-150 PSIG Air Pressure Regulator.
750815	PF-052FM		1/4" MNPT	Trap-All Gas/Air Filter for Actuator Systems.
750804	PF-0532	3/8" Flare	1/4" FNPT	

* Universal Mounting Bracket Included.



ME707



ME708



PF-052FM

MEC Internal Valve Air Actuators			
Item Number	Part Number	Operating Pressure Limits	Fits
150581	ME205	Minimum = 20 PSIG Maximum = 125 PSIG Recommended = 20 - 25 PSIG	ME990-10
150576	ME206		ME990-16 & ME990-24



ME205



ME206

PowerTorq Rotary Actuators				
Item Number	Part Number	Type	Fits MEC	Internal Valve
150690	ME225	Direct Drive	ME990-10	1 1/4" Threaded
150582	ME226		ME990-16, ME992-16, ME990-24, & ME992-24	2" & 3" Threaded



ME225



ME225 Mounted to Valve with ME707

ME707 & Internal valve not included.

MEC Internal Valve Accessories			
Item Number	Part Number	Fits	Part Description
153980	ME990-10-902	ME990-10	Manual Latch Assembly
153540	MEP990-24	ME990-16 & ME990-24	
153545	MEP650 *	All Sizes	Open/Close Cable Control Release
153550	MEP651		

* With 50' Cable.



MEP651



ME990-10-902



MEP990-24

Hydrostats				
Item Number	Part Number	Application	Size MNPT	Relief Setting
110815	A1327	Piping & Hose	1/4"	350 PSI
110816	A1328			450 PSI
110820	A1329			312 PSI



A1327

Relief Valves							
Item Number	Part Number	Size MNPT	Relief Setting	Flow Capacity - CFM Air (ASME)	For Tanks with Surface Area Up To: Sq. Ft.	Rain Cap	Pipeaway Adaptor
110795	A1310A	1 1/4"	250 PSI	5,363	882	1310-12	1310-20 (2" FNPT)
110800	A1310B		265 PSI	5,924	914		

A1310 Have CRN #'s



A1310A

Relief Valve Manifold				
Item Number	Part Number	Includes	Tank Connection	Relief Setting
110835	A1416	Manifold	2" FNPT *	-----
110855	A1416A	Manifold & 2 A1310A		250 PSIG
110856	A1416B	Manifold & 2 A1310B		265 PSIG

* Includes 2" X Close EH Seamless Nipple. Packing Kit 1415-2007 (3 Per Set).



A1416A

Relief Valves & Quad-Port Manifold



Relief Valves						
Item Number	Part Number	Application	Size MNPT	Relief Setting	Flow Capacity - SCFM / Air	Suitable For Tanks w/Surface Area Up To:
					U.L. @ 120% Set Pressure	
110845	STA1311A	Storage & Nurse Tanks	1 1/4"	250 PSI	6,330	1,010
110846	STA1311B			265 PSI	6,545	1,045

Relief Valve Accessories		
Item Number	Part Number	Fits
110847	ME904S-16-118	Plug w/Safety Notice
110848	MEP178	Pipeaway w/2" FNPT Outlet
110849	MEV125-109	Rain Cap for STA1311A & STA1311B



STA1311A

Relief Valve Quad-Port Manifold						
Item Number	Part Number	Includes	Tank Connection	Relief Setting	Relief Valves	
					Part Number	# of Valves
110840	ME904S-16	Manifold	2"	----	----	----
110841	ME904S-16-3A	Manifold & Reliefs		250 PSI	STA1311A	3
110842	ME904S-16-3B	Manifold & Reliefs		265 PSI	STA1311B	3
110843	ME904S-16-4A	Manifold & Reliefs		250 PSI	STA1311A	4
110844	ME904S-16-4B	Manifold & Reliefs		265 PSI	STA1311B	4



ME904S-16-118



ME904S-16



ME904S-16-4A

Fisher Relief Valves							
Item Number	Part Number	Application	Size MNPT	Relief Setting	Flow Capacity - CFM Air		For Tanks with Surface Area Up To: Sq. Ft.
					U.L.	ASME	
121043	H5114-250	Bulk Storage	2"	250 PSI	10,530	9,724	625
121045	H5114-265			265 PSI	11,300	10,280	681



H5114-265

MEC Relief Valves						
Item Number	Part Number	Primary Application	Size MNPT	Relief Setting	Flow Capacity - SCFM Air #	Trim Material
					U.L. @ 120% Set Pressure	
121099	MEV200SSIR/250	Stationary Tanks	2"	250 PSI	10,925	Nitrile
121088	MEV200SSIR/265			265 PSI	11,475	
121090	MEV250CN/250		2 1/2"	250 PSI	10,333	
121091	MEV250CN/265			265 PSI	10,948	
150818	ME904S-4F/250CN		4" 300 LB. Flange	250 PSI	27,740	

Flow rates are shown for bare relief valves.



MEV200SSIR/265



MEV250CN/265



ME904S-4F/250CN

Pipeaway Adaptor		
Item Number	Part Number	Inlet & Outlet
110811	A1310-20	2" FNPT
122615	MEP104-24	3" FNPT



MEP104-24

Liquid Level Vent Valves			
Item Number	Part Number	Description	Size
111405	A1910S	Fixed Liquid Level Gauge - 12" Diptube	1/4" MNPT
111410	A1911	Liquid Level Valve - Knurled Handle	
111411	A1912	Liquid Level Valve - Tee Handle	
110437	AL404	Liquid Level Valve	3/4" MNPT
110438	AL404-1	AL404 with 0-400 PSIG Pressure Gauge & A1911	



A1910S



A1911



A1912



AL404



AL404-1

Pressure Gauges				
Item Number	Range PSI	Dial Size	Dial Type	Size MNPT
290615	0-60	2 1/2"	Dry	1/4" Bottom Mount
290620	0-160			
290625	0-400			
290632	0-60	4"		
290633	0-160			
290634	0-400	2 1/2"	Liquid Filled	1/4" Back Mount
290648	0-60		Dry	
290647	0-400			
290636	0-400			
290635	0-400			
290646	Replacement Lens For Pressure Gauges			



290632



290646



290635

Gauge Snubber				
Item Number	Part Number	Type	Inlet	Outlet
141031	ST-1449	Stainless Steel w/ 54 Drill	1/4" MNPT	1/4" FNPT



ST-1449

Container Thermometers			
Item Number	Part Number	Tank Connection	Stem Length
121245	ST-J700	1/2" MNPT	4"
121250	ST-J701		6"



ST-J700

The Master Series™ liquid-level gauges are designed to indicate the liquid level contents of Anhydrous Ammonia(NH3) in stationary-storage tanks.

The Master Series™ are available in two basic models:

Model A - Stainless Steel Senior head which mounts to a 2" MNPT x Senior adaptor.

Model B - Stainless Steel head which mounts to a 2 1/2" X 8-Bolt flange adaptor.

Both models incorporate a 8" [100 mm] dial with an available 4" [200 mm] dial. When necessary, the dials are easily replaceable. Standard mounting is end or top mounting. These gauges can be special ordered with angle or straddle mounts. The model A comes standard with cap screws and a Senior spirotallic gasket. The model B comes with a stud and nut kit and spirotallic gasket.

The Master Series™ gauges are designed for working pressures ranging from atmospheric to 450 [31 Bar] psig.

Note: Refer to Gauge Instructions for mounting bolt torque specifications.

Master Standard Sizes							
Item Number	Part Number	Tank Diameter	Tank Opening	Model Type	Mount	Standard Dial	Old NH3 Number
138000	ME2434A	72"	2"	A	Side, End	130090	DD240B
138005	ME2434B		2 1/2"	B	Side, End	130090	DD240A
138010	ME2738A	82"	2"	A	Side, End	130090	DD270D
138015	ME2738B		2 1/2"	B	Side, End	130090	DD270G
138020	ME2839A	84"	2"	A	Side, End	130090	DD280G
138025	ME2839B		2 1/2"	B	Side, End	130090	DD280C
138030	ME3245A	96"	2"	A	Side, End	130090	DD320F
138035	ME3245B		2 1/2"	B	Side, End	130090	DD320B
138040	ME3650A	104"-108"	2"	A	Side, End	130090	DD360A
138045	ME3650B		2 1/2"	B	Side, End	130090	DD360B
138050	ME3862A	130"	2"	A	Side, End	130090	DD430B
138055	ME3862B		2 1/2"	B	Side, End	130090	DD380F

Master Gauge Parts		
Item Number	Part Number	Model Type
130040	Spirotallic Gasket	B
118405	5305 2" MNPT X Sr. Head Adaptor	A
118425	5331 2 1/2" X 8 Bolt Flange Adaptor	B
118428	5330 Weld In 8 Bolt Flange Adaptor	B
130206	Master Gasket & Centralizer	B
131812	Straddle Mount Adapter w/Screws & Gasket	B



118428



118425



131812



118405

Old Style Master Gauge Parts		
Item Number	Part Number	Model Type
130130	Sr. Teflon Gasket	A
130119	Sr. Gauge Screw *	A
130205	Master Dial 2-Bkt Kit	A & B
130035	Master Dial LP or NH3 2-Bkt Pre 08	A & B
130036	4102 LP Only Dial 2-Bkt Pre 08	A & B
130030	4607 NH3 Only Dial 2-Bkt Pre 08	A & B
130078	Master R3D Dial LP or NH3 2-Bkt Pre 08	A & B
130076	Master R3D Sender & Cable	A & B
130088	Master Fluorescent Dial LP & NH3 2-BKT	A & B
130094	Master R3D Fluorescent Dial LP & NH3 2-BKT	A & B
130127	Master Dial Screws 1032-1 (2 Req.)	A & B
130219	Master Gauge Bolts (8 Req.)	B

* These screws come in packages of 50 Pcs.

Old Style Heads



Model A



2-Bracket Model B

New Style Master Gauge Parts		
Item Number	Part Number	Model Type
130131	Sr. Spirotallic Gasket	A
130095	Model A Head Strap Post 07	A
403631	Sr. Cap Screw	A
130098	Master Dial 3-Bkt Kit	B
130090	Master Dial LP or NH3 3-Bkt Post 07	B *
130091	4102 LP Only Dial 3-Bkt Post 07	B *
130092	4607 NH3 Only Dial 3-Bkt Post 07	B *
130034	Master R3D Dial LP or NH3 3-Bkt Post 07	B *
130076	Master R3D Sender & Cable	A & B
130089	Master Fluorescent Dial LP & NH3 3-BKT	B *
130099	Master R3D Fluorescent Dial LP & NH3 3-BKT	B *
130093	Master Stud Bolt and Nut Kit (8)	B
130201	Master Glass Crystal & Gaskets -8"	A & B
130199	Master Lexan Crystal -8"	A & B #
130198	Gasket For Master Lexan Crystal -8" (2 Req.)	A & B #

* These Dials have 3 blank holes to mount on a Model B only. If you need a Dial for a Model A than you must specify Model A when ordering.

Must be ordered together.

New Style Heads



Model A



3-Bracket Model B

The Eliminator™ direct-reading float gauge is a direct replacement for 1" NPT rotary-type dip-tube gauges in NH₃ storage tanks.

These Gauges are designed for larger tanks up to 96" [2134 mm] in diameter. The Eliminator™ is not intended for use in filling tanks - its use is restricted to tanks with fixed liquid level gauges, used to determine when the maximum fill level has been reached.

Eliminator Standard Sizes

Item Number	Part Number	Tank Diameter	Case Quantity
131900	EL4442	42"	1 Pc.
131901	EL6046	46"	1 Pc.
131902	EL6048	48"	1 Pc.
131903	EL6056	56"	1 Pc.
131906	EL6060	60"	1 Pc.
131909	EL7266	66"	1 Pc.
131912	EL7272	72"	1 Pc.
131914	EL8474	74"	1 Pc.
131916	EL8476	76"	1 Pc.
131919	EL8479	79"	1 Pc.
131920	EL8480	80"	1 Pc.
131921	EL8481	81"	1 Pc.
131922	EL8482	82"	1 Pc.
131923	EL8484	84"	1 Pc.
131925	EL8486	86"	1 Pc.
131926	EL8487	87"	1 Pc.
131930	EL9696	96"	1 Pc.

* Any Eliminator installed in a mobile tank greater than 60" is excluded from the Taylor Gauge Limited Warranty and cannot be reworked.



130100

Eliminator Dial

Item Number	Part Number
130100	Eliminator Dial Assy

How To Do The Conversion

1. After the storage tank has been evacuated, remove the rotary gauge from the 1" NPT opening at the centerline of the head. Clean and re-tap the female threads.
2. Remove the two screws from the bezel. Put the bezel, screws and dial chamber aside for the moment. Remove the four mounting screws holding the gauge head to the adapter.
3. Insert the lower portion of the replacement gauge, including the float bulb, float arm, gear housing and counterbalance, into the tank opening.
4. Apply three wraps of 1/2" [12 mm] wide Teflon tape, or other suitable thread sealant, to the 1" NPT threads on the steel adapter through which the gauge support passes.
5. Screw the adapter into the tank opening to achieve a leak-tight joint, and align the gauge mounting holes in the horizontal plane.
6. Using the gasket and four mounting screws supplied, attach the gauge to the adapter finger tight. Be sure the gauge is right side up, the bracket tab for locating dial chamber should be on the right. Torque the mounting screws evenly to 140/150 lb. in., [16,4 Nm] using a cross pattern.
7. Reattach the 4" dial chamber and bezel to the Senior™ gauge head brackets using the two screws supplied.
8. If you end up with the dial chamber upside down, you cannot solve the problem by rotating the bracket. You must rotate the entire gauge 180°.

Rotary Gauges

Fisher® brand rotary gauges can be used on stationary or mobile tanks to visually indicate the amount of Anhydrous Ammonia (NH₃) in the container. They are also used in filling the tank to the proper liquid level. On mobile applications and some large stationary storage tanks, hangers are recommended to support the horizontal length of the dip tube.

The Gauge is operated by opening the small bleed orifice when the tube is in the vapor space of the tank. Moving the pointer on the dial causes the end of the tube to move until it contacts liquid in the container. At that point, discharge from the bleed orifice turns from vapor to liquid and the rotary gauge dial gives the volume percentage of liquid in the tank.

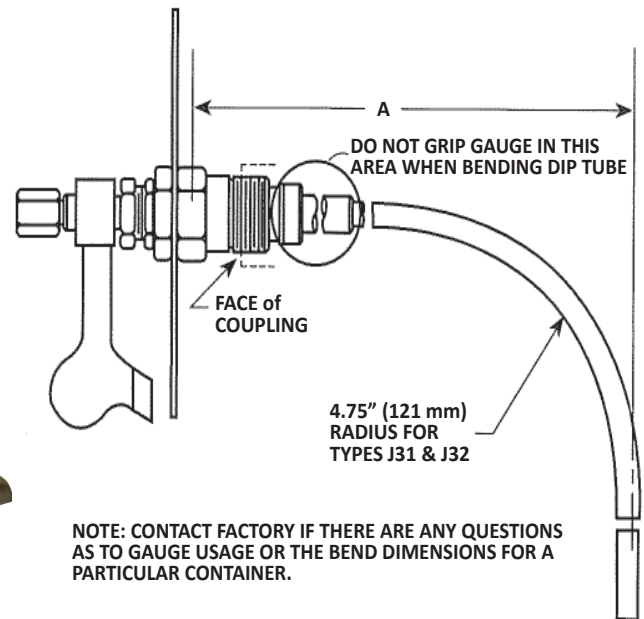
J31 Series - consists of heavy duty gauges that minimize vibration effects (swaying, bouncing) by a long (68-inches) (1,73 meters) stem tube extension. Gauges fit 1-inch (25,4 mm) female coupling container connections.

All gauges have stem and dip tubes with an extra large inside diameter. This assures that the correct liquid level can be obtained quickly. A P324 dial is included with the NH₃ version.

A nylon packing sleeve and a friction ring for the pointer indicator gives smooth rotation and long service life. Steel and stainless steel materials resist rust or corrosion.

NH3 Rotary Gauges			
Item Number	Part Number	Length	
		Inches	Millimeters
121122	J31A-1	68	1727
121127	J31A-2	69 - 92	1753 - 2337
121132	J31A-3	93 - 108	2362 - 2743
121137	J31A-3L	109 - 140	2769 - 3556

Each Gauge Must Be Bent Before Installation.



NOTE: CONTACT FACTORY IF THERE ARE ANY QUESTIONS AS TO GAUGE USAGE OR THE BEND DIMENSIONS FOR A PARTICULAR CONTAINER.



J31A-2

Rotary Gauge Parts		
Item Number	Part Number	Description
122920	P324	NH3 Dial
128217	T10971-000A2	Cap & Disc Assy.
128139	T10887-19232	Dial Indicator
128209	T10964-24152	Indicator Set Screw

Shipping Notice:

The J31-1 and J31-2 ship UPS.

The J31-3 and J31-3L will be shipped via motor freight.

The J31-3 if shipped UPS gets an additional oversize charge.

Bypass Valves					
Item Number	Part Number	Size - FNPT	Application	Spring Range	Manufacturer
140342	T166-1.25AAU	1 1/4"	Bulk Plants & Large Capacity Pumps	25-60	Corken
140341	T166-1.5AAU	1 1/2"		25-60	
140329	ZV200-AAEE	2"		41-70	
142004	BV1.25A-5100	1 1/4"	Bulk Plants & Large Capacity Pumps	71-125	Blackmer
142002	BV1.5A-5100	1 1/2"			
142007	BV2A-21NN	2"		41-70	
148022	ME840-16-40	2"	Bulk Plants & Large Capacity Pumps	20-40	MEC
148024	ME840-16-70			41-70	
147978	ME840-24-75	3"		25-75	

Other spring ranges available.



T166



BV1.5A



ME840-16-40



ZV200



BV2A



ME840-24-75

Corken Bare Pumps				
Item Number	Part Number	Inlet	Outlet	Flow Rate
140050	521EGAE	2" FNPT	2" FNPT	25-80 GPM
140120	1021EGAMM	3" FNPT	3" FNPT	65-195 GPM
140193	Z2000HGAEU	2" FNPT	2" FNPT	37-75 GPM
140121	Z3500HGAMT	3" FNPT	3" FNPT	120-168
140185	Z4500HGASP	4" 300# Flange	3" 300# Flange	200-308

Z3500 is a direct replacement for Corken 1021 & Blackmer LGLD3.



Z3500



521 / 1021



Z4500

Corken Base Mounted Pumps				
Item Number	Part Number	RPM	3 Phase Motor - HP	Frame Size
140062	521EGAE-103-9-640-184T	640	5	184T
140187	Z2000HGAEU-103-9-640-184T			
140137	1021EGAMM-103-10-640-215T		10	215T
140131	Z3500HGAMT-103-10-640-215T			
140186	Z4500HGASP-103-15-640-256T		20	256T

103 Style - Mounting includes steel baseplate, adjustable driver side base, V-belt drive and enclosed belt guard. Motor sold separately.



Z2000



103 Pump Series

NH3 Coro-Vane Pump Repair Kits					
Item Number	140874	140900	140882	140890	140894
Part Number	2904-X2	3109-X1	2905-X5	2906-X2	2907-X3
Model Numbers	521E 522E T522E TR522E	T522G TR522G	T722G TR722G	1021E 1022E F1021E F1022E	F1521F F1522F T1522F TR1522F
Seal Assembly *	1769-XRA (2)*	1769-XRA (2)*	1769-XRA (2)*	1769-XRA (2)*	1769-XRA (2)*
Bearings	2754-X (2)	2754-X (2)	2754-X (2)	2754-X (2)	2754-X (2)
Bearing	----	3209	3209	----	3209
Grease Seals	1358 (2)	1358 (2)	1358 (2)	1358 (2)	1358 (2)
Grease Seal	2014	2014	2014	2014	2014
Blades	1168-7 (10)	4000 (6)	3981 (6)	1308-9 (10)	3477 (6)
Sideplates #	1163-2 (2) #	3932 (2) #	3932 (2) #	1209-1 (2) #	3476 L/R (1/1) #
Flange Gasket	2010 (3)	2010 (2)	2010 (2)	----	-----
Case O-Ring *	2-261A (2) *	2-261A (2) *	2-261A (2) *	2-268A (2) *	2-268A (2) *
Flange O-Ring *	2-234A (2) *	2-234A (2) *	2-234A (2) *	2-245A (2) *	2-245A *
Flange O-Ring *	----	----	----	2-249A (2) *	2-234A (3) *
Flange O-Ring *	----	----	----	----	2-249A
R.V. O-Ring *	2-224A *	----	----	2-228A *	----
R.V. O-Ring *	2-112A *	----	----	2-112A *	----
R.V. O-Ring *	2-277A (2) *	2-277A (2) *	2-277A (2) *	----	2-238A *
Rotor & Shaft #	1166-1X1R #	----	----	1208-1X1R #	3350-1X1R #
Rotor & Shaft # +	1166-1X2R # +	1166-1X2R # +	3983-X2R # +	1208-1X2R # +	3350-1X2R # +*
Cam #	1162-2 #	1162-2 #	1849-1 #	1201-2 #	1792-1 #

* All repair kits are furnished with Buna-N O-Rings which are suitable for NH3 applications.

These items are not in the repair kits.

+ For use on 522, 722, 1022, and 1522 pumps only.

Coro-Vane Pump Parts						
Part Description	For 521 Pumps			For 1021 Pumps		
	Item Number	Part Number	Quantity Needed	Item Number	Part Number	Quantity Needed
Seal Assembly	140802	1769-XRA	2 Pcs.	140802	1769-XRA	2 Pcs.
Bearings	140850	2754-X	2 Pcs.	140850	2754-X	2 Pcs.
Grease Seals	140740	1358	2 Pcs.	140740	1358	2 Pcs.
Grease Seal	140811	2014	1 Pc.	140811	2014	1 Pc.
Blades	140626	1168-7	10 Pcs.	140716	1308-9	10 Pcs.
Sideplates	140615	1163-2	2 Pcs.	140660	1209-1	2 Pcs.
Rotor & Shaft	140619	1166-1X1R	1 Pc.	140654	1208-1X1R	1 Pc.
Cam	140610	1162-2	1 Pc.	140650	1201-2	1 Pc.

NH3 Z-Series Pump Repair Kits				
Item Number	140195	140196	140202	140197
Part Number	3193-X1	3195-X1	3195-X2	3197-X1
Model Numbers	Z2000	Z3200	Z3500	Z4200 Z4500
Seal Assembly *	4431-XA2 (2) *	4431-XA2 (2) *	4431-XA2 (2) *	4431-XA2 (2) *
Bearings	2754-X (2)	2754-X (2)	2754-X (2)	4460-X (2)
Bearing	4432 (2)	4432 (2)	4432 (2)	4453 (2)
Grease Seals	4441 (2)	4441 (2)	4441 (2)	4463 (2)
Blades	4428 (6)	4232 (6)	3936 (1)	4448 (6)
Sideplates #	4427 (2) #	4231 (2) #	3935 (2) #	4446 (2) #
Case O-Ring *	2-261A (2) *	2-261A (2) *	2-268A (2) *	2-270A (2) *
Flange O-Ring *	2-231A (2) *	2-234A (2) *	2-245A (2) *	2-231A *
R.V. O-Ring *	2-224A *	2-224A *	2-228A *	2-234A *
Rotor & Shaft #	4430-X2R #	4495-X2R #	4495-X2R #	4444-X2R #
Cam #	4414 #	4242 #	5539 #	4443 #
Mounting Ring	4432 (2)	4432 (2)	4435 (2)	4452 (2)
Pin Drivers	4262-X (3)	4262-X (3)	4262-X (3)	4449-X (3)
Shim (0.002)	4439 (8)	4439 (8)	4439 (8)	4458 (8)
Shim (0.010)	4439-1 (2)	4439-1 (2)	4439-1 (2)	4458-1 (2)
Shim (0.020)	4439-2 (2)	4439-2 (2)	4439-2 (2)	4458-2 (2)

* All repair kits are furnished with Buna-N O-Rings which are suitable for NH3 applications.

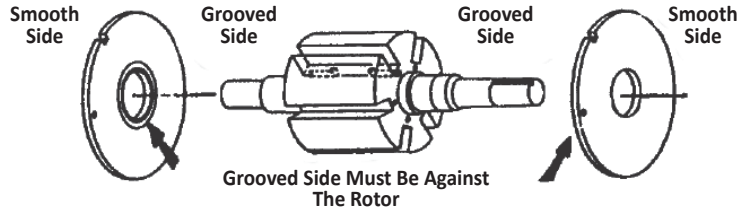
These items are not in the repair kits.

Z-Series Pump Parts						
Part Description	For Z2000 Pumps			For Z3500 Pumps		
	Item Number	Part Number	Quantity Needed	Item Number	Part Number	Quantity Needed
Seal Assembly	140201	4431-XA2	2 Pcs.	140394	6660-XA2	2 Pcs.
Bearings	140850	2754-X	2 Pcs.	140850	2754-X	2 Pcs.
Bearing	140500	4432	2 Pcs.	140500	4432	2 Pcs.
Grease Seals	140511	4441	2 Pcs.	140511	4441	2 Pcs.
Blades	145006	4428	6 Pcs.	141152	3936	6 Pcs.
Sideplates	140190	4427	2 Pcs.	140182	3935	2 Pcs.
Rotor & Shaft	140181	4430-X2R	1 Pc.	140998	4495-X2R	1 Pc.
Cam	145004	4414	1 Pc.	140184	5539	1 Pc.

Parts Details for Models 521 & 1021

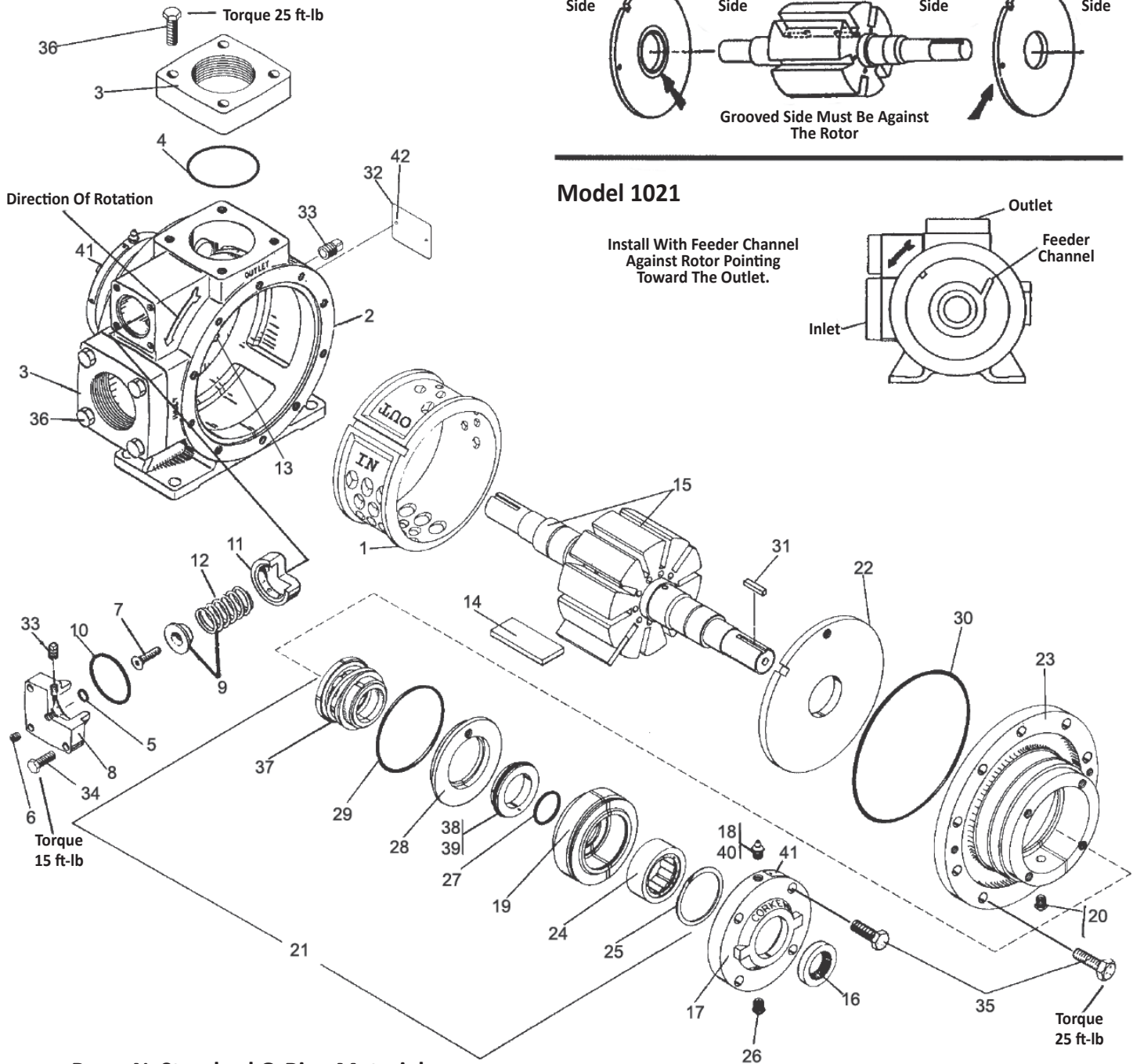
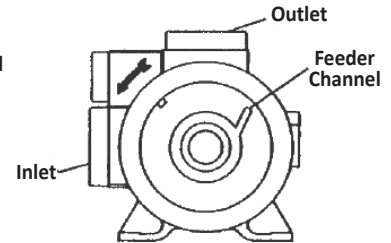
CAUTION: Always relieve pressure in the unit before attempting any repairs.

Model 521



Model 1021

Install With Feeder Channel
Against Rotor Pointing
Toward The Outlet.



Buna-N Standard O-Ring Material

Coro-Vane Pumps Breakdown



Ref No.	Item Number	Part Number	Description	Qty.
1	140610	1162-2	Cam (521)	1
	140650	1201-2	Cam (1021)	1
2	Special Order	2832	Case (521)	1
	Special Order	2841	Case (1021)	1
3	140628	1172-2.5 ³	2.5" Flange (521)	1
	140627	1172-2 ³	2" Flange (521)	1
	140651	1206-3 ⁴	3" Flange (1021)	2
4	140940	2-234A ²	Flange O-Ring (521)	2
	140946	2-245A ²	Flange O-Ring 3" (1021)	2
	140949	2-249A ²	Flange O-Ring 4"(1021)	2
5	140930	2-112A ²	Adjusting Screw O-Ring	1
6	140842	2590	Flush Steel Plug 1/8" NPT	1
7	140814	2252	Relief Valve Adjusting Screw	1
8	140617	1174	Valve Cap (521)	1
	140653	1207	Valve Cap (1021)	1
9	140724	1242-X	Relief Valve Spring & Guide (521)	1
	140658	1227	Relief Valve Spring Guide (1021)	1
10	140938	2-224A ²	Relief Valve Cap O-Ring (521)	1
	140939	2-228A ²	Relief Valve Cap O-Ring (1021)	1
11	140717	1241	Relief Valve (521)	1
	140656	1224	Relief Valve (1021)	1
12	Special Order	1242	Relief Valve Spring (521)	1
	140657	1226	Relief Valve Spring (1021)	1
13	Special Order	1170	Cam Key (521)	1
	Special Order	1309	Cam Key (1021)	1
14	140626	1168-7	Blade (521)	10
	140716	1308-9	Blade (1021)	10
15	140619	1166-1X1R	Rotor & Shaft Assembly (521)	1
	140654	1208-1X1R	Rotor & Shaft Assembly (1021)	1
16	140740	1358	Grease Seal	2
17	140618	1164-1	Bearing Cap	2
18	Special Order	2158	Grease Zerk 1/8" NPT	2
19	140800	1769	Bearing Housing	2
20	140725	1343	Relief Fitting (Seal Vent)	2
21	140801	1769-XA ^{1,2}	Seal Assembly	2
	140802	1769-XRA ^{1,2}	Seal Assembly — Replacement	2
22	140615	1163-2 ⁵	Sideplate (521)	2
	140660	1209-1 ⁵	Sideplate (1021)	2
23	Special Order	1161-4	Head (521)	2
	140652	1205-4	Head (1021)	2
24	140850	2754-X	Roller Bearing — Complete	2
	140852	2755	Bearing Inner Race	2
	140827	2754	Bearing Outer Race	2
25	140854	2760-244	Retainer Ring	2
26	140725	1343	Relief Fitting (Grease)	2
27	140935	2-128A ⁷	Shaft O-Ring	2
28	Special Order	1822	Seat Adapter Plate	2
29	140945	2-240A ²	Adapter Plate O-Ring	2
30	140950	2-261A ²	Case O-Ring (521)	2
	140955	2-268A ²	Case O-Ring (1021)	2
31	140813	2270	1/4" Key	2
32	Special Order	2949	Nameplate	1
33	Special Order	3442	1/4" NPT Plug	1

Ref No.	Item Number	Part Number	Description	Qty.
34	Special Order	7001-031 NC125A	Hex Head Bolt 5/16-18 X 1 1/4" (521)	4
	140540	7001-037 NC125A	Hex Head Bolt 3/8-16 X 1 1/4" (1021)	4
35	140540	7001-037 NC125A	Hex Head Bolt 3/8-16 X 1 1/4" (521)	28
	140540	7001-037 NC125A	Hex Head Bolt 3/8-16 X 1 1/4" (1021)	32
36	Special Order	7001-037 NC150A	Hex Head Bolt 3/8-16 X 1 1/2"	8
37	-----	----- ⁵	Retainer	2
38	-----	----- ⁵	Seal Seat	2
39	140931	2-227A ²	Seal Seat O-Ring	2
40	140817	2159	Lubricap #2	2
41	Special Order	1359	Lubrication Instruction Tag	2
42	Special Order	7003-004 DR0198	Round Head Plated Drive Screw 4 X 3/16	2

Buna-N Standard O-Ring Material

¹Seal assemblies are available in two forms:

- a. Complete seal kit including bearing housing, seat adapter plate, bearings, retainer ring, seal & O-Rings. Part Number 1769-X².
- b. Field replacement seal assembly containing only the seal & O-rings Part Number 1769-XR².

²_ denotes O-Ring code: See chart below for details.

O-Ring Code	
A	Buna-N
B	Neoprene ^{® 6}
D	Viton ^{® 6}
E	Teflon ^{® 6}

³Optional Flanges. (Model 521):

1172-1.5	1/2" NPT
1172-1.5S	1/2" Weld
1172-2	2" NPT
1172-2S	2" Weld
1172-2.5	2 1/2" NPT
1172-2.5S	2 1/2" Weld
1172-1.5S	1/2" Weld

⁴Optional Flanges. (Model 1021):

1206-3S	3" Weld
1206-4	4" NPT
1206-4S	4" Weld

⁵Not Available Separately

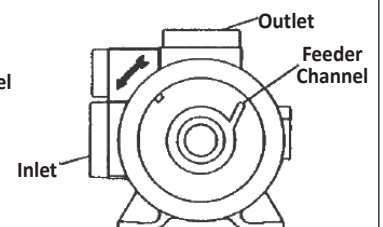
⁶Neporene[®], Viton[®], & Teflon[®] are registered Trademarks of the DuPont company.

⁷Available in Buna-N only.

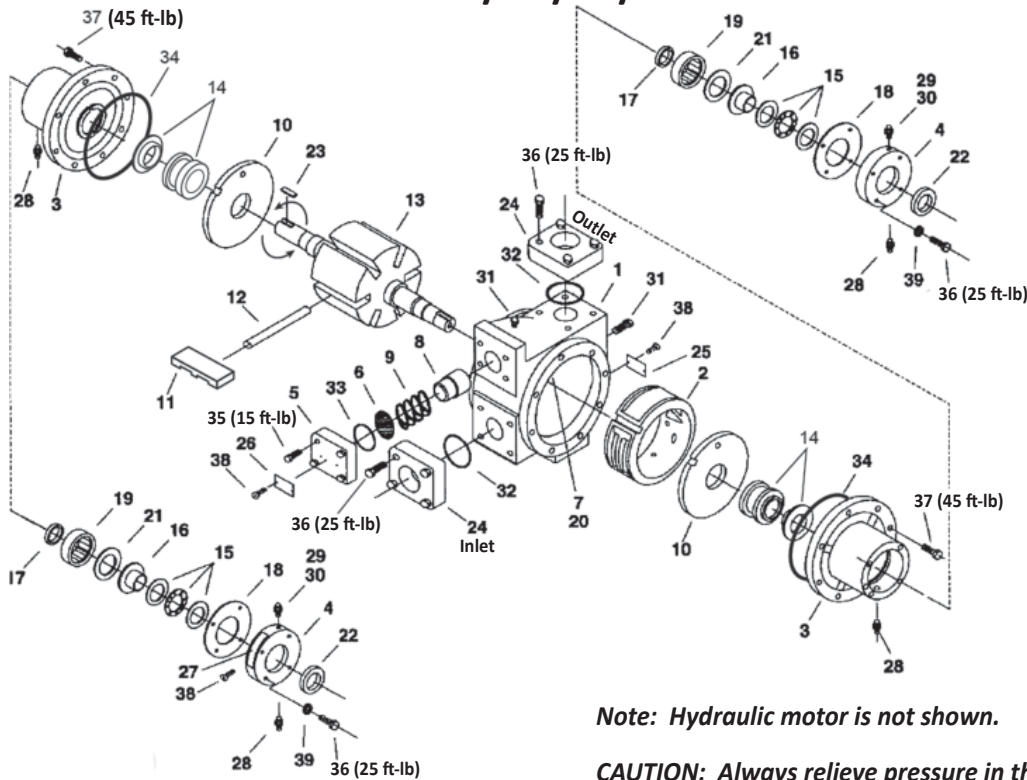
⁸Sideplate replacement instructions:

Model 1021

Install With Feeder Channel
Against Rotor Pointing
Toward The Outlet.



Parts Details for Models Z/ZH/ZX/ZXH2000



O-Ring Code	
A	Buna-N
B	Neoprene ^{® 1}
D	Viton ^{® 1}
E	Teflon ^{® 1}

**Buna-N Standard
O-Ring Material**

Note: Hydraulic motor is not shown.

CAUTION: Always relieve pressure in the unit before attempting any repairs.

Ref No.	Item Number	Part Number	Description	Qty.
1	Special Order	4413	Case	1
2	145004	4414	Cam	1
3	Special Order	4416	Head	2
4	Special Order	4417	Bearing Cap	2
5	Special Order	1174-3	Relief Valve Cap	1
6	140355	4282	Shim (Z2000, ZH2000)	1
	140355	4282	Shim (ZX2000, ZXH2000)	3
7	Special Order	4424	Cam Key	1
8	Special Order	4425	Relief Valve	1
9	Special Order	4426	Relief Valve Spring (Z2000, ZH2000)	1
	140712	1240	Relief Valve Spring (ZX2000, ZXH2000)	1
10	140190	4427	Sideplate	2
11	145006	4428	Vane ²	6
12	140352	4262-X	Vane Driver	3
13	140181	4430-X2R	Rotor — Shaft Assembly	1
14	140201	4431-XA ₂	Mechanical Seal Assembly ³	2
15	140500	4432	Thrust Bearing Assembly	2
16	140501	4435	Bearing Race Mounting Ring	2
17	140787	4438	Grease Seal	2
18	140502	4439	Bearing Cap Shim (.002) Red	As Req.
	140356	4439-1	Bearing Cap Shim (.010) Brown	
	140503	4439-2	Bearing Cap Shim (.020) Yellow	

Ref No.	Item Number	Part Number	Description	Qty.
19	140850	2754-X	Bearing	2
20	140708	3253	Cam Key Pin	2
21	140854	2760-244	Retainer Ring	2
22	140511	4441	Grease Seal	2
23	140813	2270	Shaft Key — 1/4" X 1 9/16"	2
24	Special Order	4479-2	Flange — 2" NPT	2
	Special Order	4479-2S	Flange — 2" Welded	
25	Special Order	2649	Nameplate	1
26	Special Order	4248	Relief Valve Nameplate (Z2000, ZH2000)	1
	Special Order	4248-1	Relief Valve Nameplate (ZX2000, ZXH2000)	1
27	Special Order	1359	Lubrication Instruction Plate	2
28	140725	1343	1/8" NPT Relief Fitting	4
29	Special Order	2158	1/8" NPT Grease Zerk	2
30	140817	2159	Lubricap	2
31	Special Order	3442	1/4" NPT Pipe Plug	2
32	140970	2-231A	O-Ring — Flange ³	2
33	140938	2-224A	O-Ring — Relief Valve Cap ³	1
34	140950	2-261A	O-Ring — Case ³	2
35	Special Order	7001-031-NC125A	Bolt — Hexagon Head	4
36	Special Order	7001-037-NC150A	Bolt — Hexagon Head	16
37	140524	7001-043-NC125A	Bolt — Hexagon Head	16
38	Special Order	7012-006-SF025E	Screw	8
39	Special Order	7206-037A	Lock Washer	8

¹ Registered trademarks of the DuPont Company.

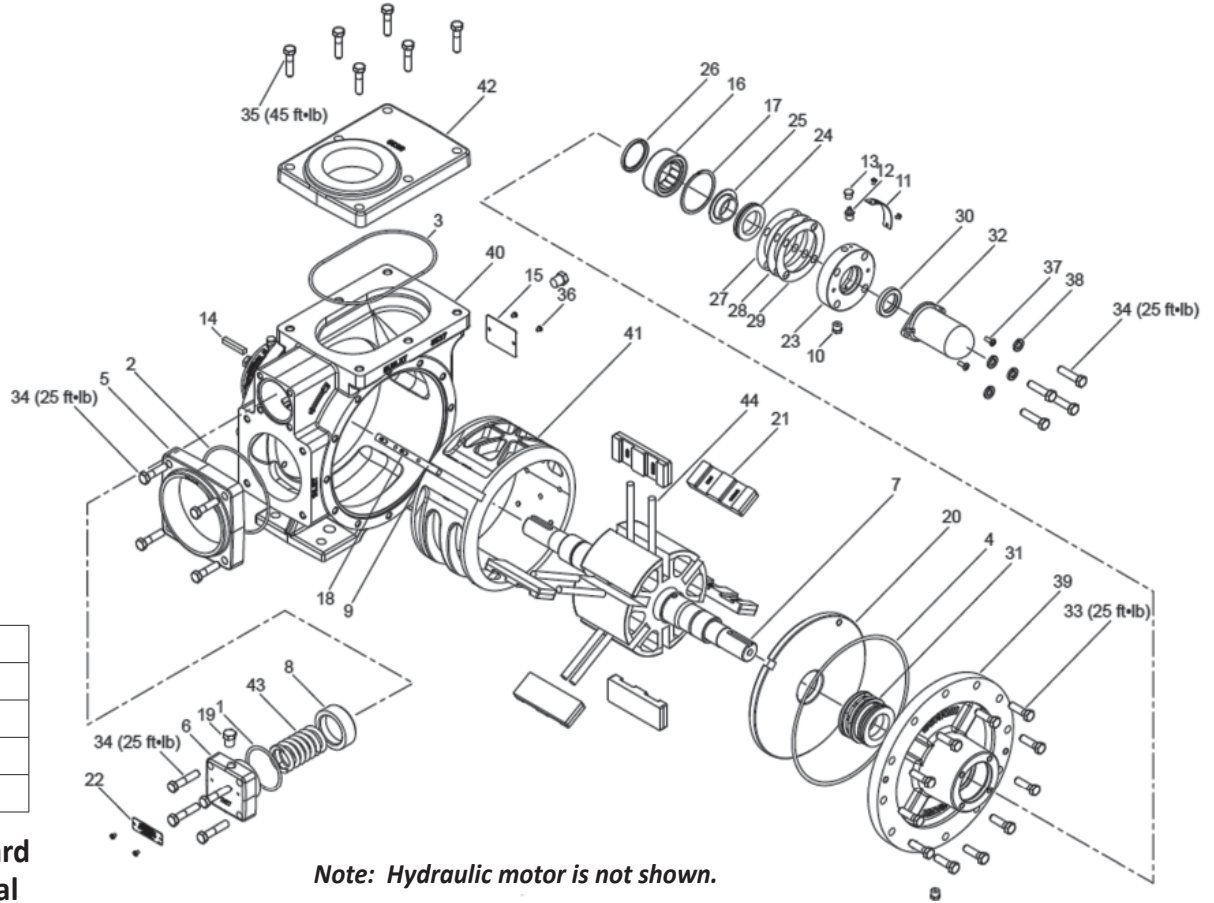
² Slots in vanes must face TOWARDS the direction of rotation.

³ _ Denotes O-Ring code. See chart above.

Z-Series Pumps Breakdown



Parts Details for Models Z3500



O-Ring Code	
A	Buna-N
B	Neoprene ^{® 1}
D	Viton ^{® 1}
E	Teflon ^{® 1}

Buna-N Standard O-Ring Material

Note: Hydraulic motor is not shown.

CAUTION: Always relieve pressure in the unit before attempting any repairs.

Ref No.	Item Number	Part Number	Description	Qty.	Ref No.	Item Number	Part Number	Description	Qty.	
1	140939	2-228A	O-Ring ²	1	23	Special Order	4417	Bearing Cap	2	
2	140946	2-245A	O-Ring ²	1	24	140500	4432	Thrust Bearing Assembly	2	
3	140631	2-259A	O-Ring ²	1	25	140501	4435	Thrust Bearing Mounting Ring	2	
4	140955	2-268A	O-Ring ²	2	26	140787	4438	Grease Seal / Oil Seal	2	
5		140651	1206-3	Inlet Flange — 3" NPT	1	27	140502	4439	Bearing Cap Shim (.002) Red	2
	Special Order		1206-4	Inlet Flange — 4" NPT	1	28	140356	4439-1	Bearing Cap Shim (.010) Brown	2
	Special Order		1206-3S	Inlet Flange — 3" WF	1	29	140503	4439-2	Bearing Cap Shim (.020) Yellow	2
	Special Order		1206-4S	Inlet Flange — 4" WF	1	30	140511	4441	Grease Seal	2
6	Special Order		1207-2	Relief Valve Cap	1	31	140201	4431-XA2	Mechanical Seal Assembly ²	2
7	140659	1208-1X6R	Rotor Shaft Assembly	1	32	Special Order	4985	Coro-Vane Shaft Cover	1	
8	140656	1224	Relief Valve	1	33	140540	7001-037NC125A	Hex Head Bolt	24	
9	Special Order		1309	Cam Key	1	34	Special Order	7001-037NC150A	Hex Head Bolt	16
10	140725	1343	Grease Relief Fitting	4	35	Special Order	7001-043NC150A	Hex Head Bolt	6	
11	Special Order		1359	Lubrication Plate	2	36	Special Order	7012-006SF019E	Screw	9
12	Special Order		2158	Grease Zerk	2	37	Special Order	7012-010SF050E	Screw	2
13	140817	2159	Lubricap	2	38	Special Order	7206-037A	Lock Washer — 0.375"	8	
14	140813	2270	Shaft Key — 1/4"	1	39	Special Order	5534	Head	2	
15	Special Order		2649	Nameplate	1	40	Special Order	5537	Case	1
16	140827	2754	Outer Bearing	2	41	140184	5539	Cam	1	
17	140854	2760-244	Retainer Ring	2	42	Special Order	5538	Outlet Flange — 3" FNPT Elongated	1	
18	140708	3253	Cam Key Pin	2		Special Order	5538-3S	Outlet Flange — 3" WF Elongated	1	
19	Special Order		3442	Pipe Plug — 1/4" NPT	2	43	Special Order	5548	Spring	1
20	Special Order		3935	Sideplate	2	44	Special Order	5554-X	Vane Driver	6
21	141152	3936	Vane ³	6						
22	Special Order		4248	Relief Valve Warning Tag	1					

¹ Registered trademarks of the DuPont Company.

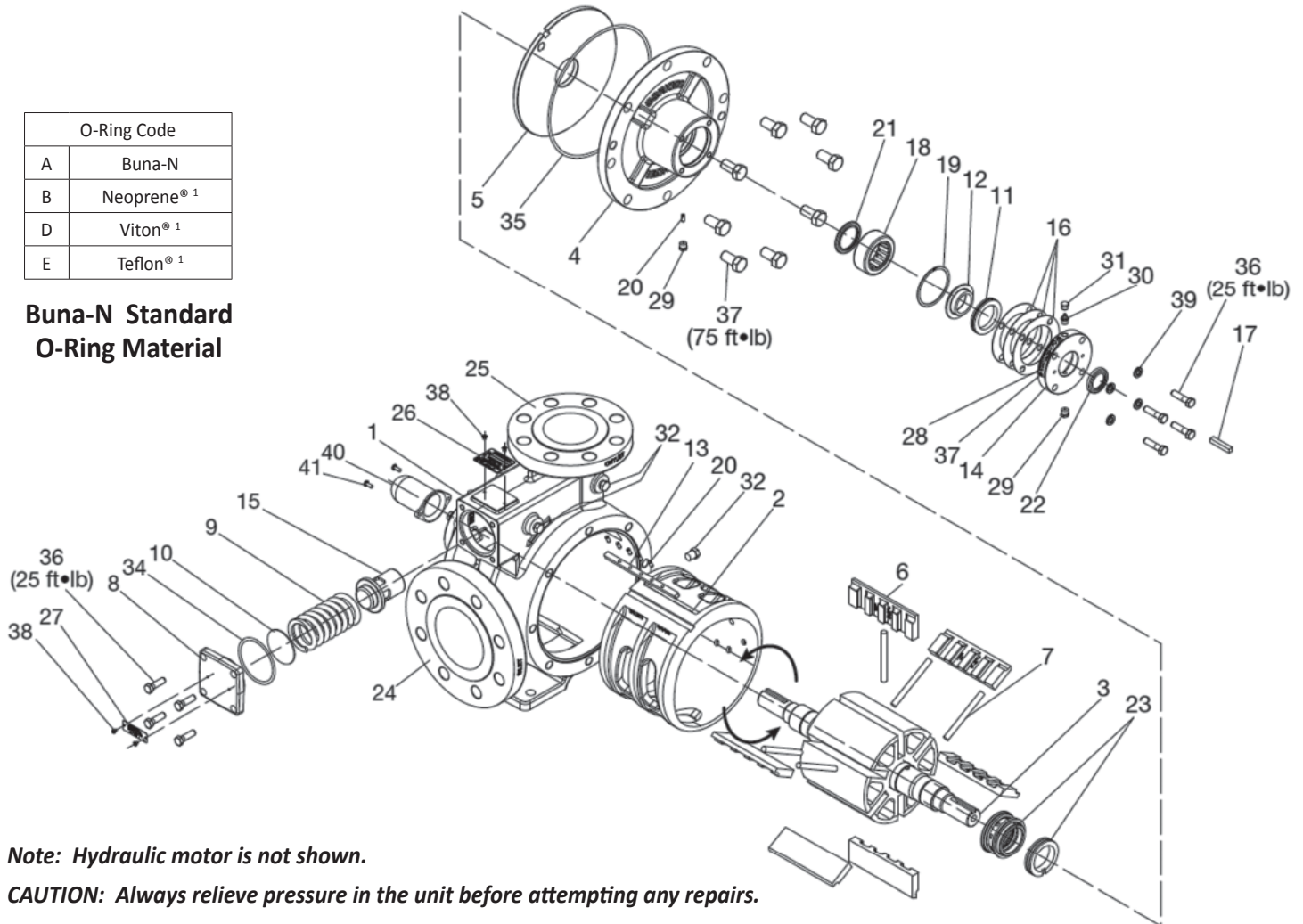
² Denotes O-Ring code. See chart above.

³ Slots in vanes must face TOWARDS the direction of rotation.

Parts Details for Models Z4500

O-Ring Code	
A	Buna-N
B	Neoprene ^{® 1}
D	Viton ^{® 1}
E	Teflon ^{® 1}

Buna-N Standard O-Ring Material



Note: Hydraulic motor is not shown.

CAUTION: Always relieve pressure in the unit before attempting any repairs.

Ref No.	Item Number	Part Number	Description	Qty.
1	Special Order	5522	Case	1
2	140515	4443	Cam	1
3	140516	4444-X2R	Rotor-Shaft Assembly	1
4	Special Order	4445	Head	2
5	140512	4446	Sideplate	2
6	140198	4448	Vane ³	6
7	140513	4449-X	Vane Driver	5
8	Special Order	4450	Relief Valve Cap	1
9	Special Order	4451	Relief Valve Spring	1
10	Special Order	4452	Shim	1
11	Special Order	4453	Thrust Bearing Assembly	2
12	Special Order	4454	Bearing Race Mounting Ring	2
13	Special Order	4455	Cam Key	1
14	Special Order	4456	Bearing Cap	2
15	Special Order	4457	Relief Valve	1
16	Special Order	4458	Bearing Cap Shim (.002) Red	As Req.
	Special Order	4458-1	Bearing Cap Shim (.010) Brown	
	Special Order	4458-2	Bearing Cap Shim (.020) Yellow	
17	Special Order	4459	Shaft Key — 5/16" X 1 3/4"	1
18	Special Order	4460-X	Roller Bearing	2

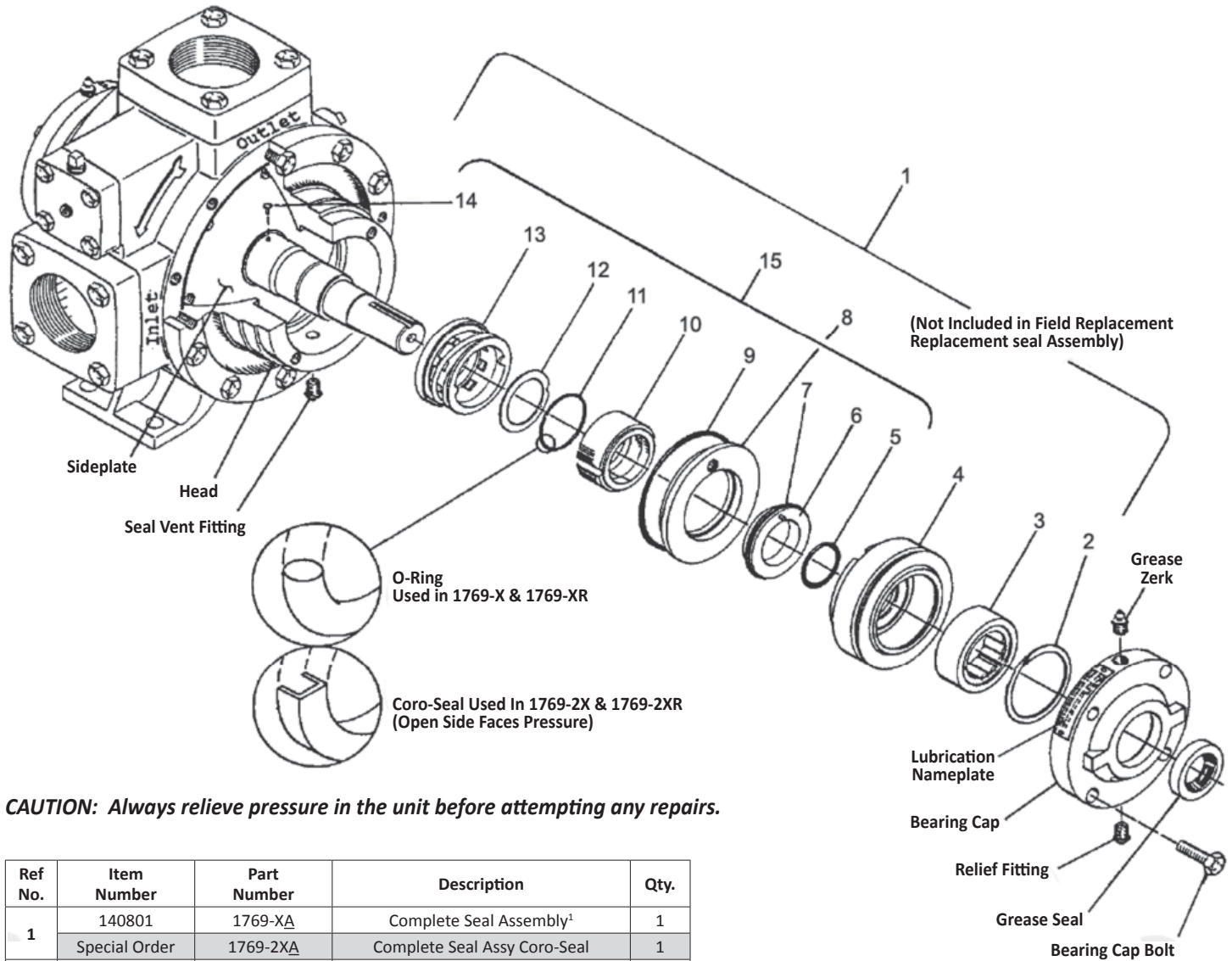
Ref No.	Item Number	Part Number	Description	Qty.
19	Special Order	2760-283	Retainer Ring	2
20	140708	3253	Cam Key Pin	5
21	Special Order	4462	Grease Seal	2
22	140514	4463	Grease Seal	2
23	140199	4464-XA2	Mechanical Seal Assembly ²	2
24	-----	-----	Inlet Flange — 4" ANSI	1
25	-----	-----	Outlet Flange — 3" ANSI	2
26	Special Order	2649	Nameplate	1
27	Special Order	4248	Relief Valve Nameplate	1
28	Special Order	1359	Lubrication Instruction Plate	2
29	140725	1343	1/8" NPT Relief Fitting	4
30	Special Order	2158	1/8" NPT Grease Zerk	2
31	140817	2159	Lubricap ²	2
32	Special Order	3442	1/4" NPT Pipe Plug	2
33	140970	2-231A	O-Ring — Discharge Flange ²	2
34	140940	2-234A	O-Ring — Auxiliary Inlet Flange ²	1
35	140971	2-270A	O-Ring — Case ²	2
36	Special Order	7001-037NC150A	Bolt — Hexagon Head	24
37	Special Order	7001-062NC125A	Bolt — Hexagon Head	16
38	Special Order	7012-006SF019E	Screw	8
39	Special Order	7206-037A	Lock Washer	8
40	Special Order	4985	Shaft Cover	1
41	Special Order	7012-010SF050E	Screw	2

¹ Registered trademarks of the DuPont Company.

² Denotes O-Ring code. See chart above.

³ Slots in vanes must face TOWARDS the direction of rotation.

1769-XRA Seal Assembly Parts Details for Models 521 & 1021



CAUTION: Always relieve pressure in the unit before attempting any repairs.

Ref No.	Item Number	Part Number	Description	Qty.
1	140801	1769-XA	Complete Seal Assembly ¹	1
	Special Order	1769-2XA	Complete Seal Assy Coro-Seal	1
2	140854	2760-244	Retainer Ring	1
3	140850	2754-X	Roller Bearing — Complete	1
	140827	2754	Bearing Outer Race	1
	140852	2755	Bearing Inner Race	1
4	140800	1769	Bearing Housing	1
5	140935	2-128A ³	Shaft O-Ring ¹	1
6	-----	-----	Seat	1
7	140931	2-227A	Seat O-Ring ¹	1
8	140824	1822	Seat Adapter Plate	1
9	140945	2-240A	Adapter Plate O-Ring ¹	1
10	-----	-----	Carbon	1
11	140936	2-223A	Rotor O-ring ¹	1
12	-----	-----	Disc	1
13	-----	-----	Retainer Assembly	1
14	Special Order	2701	Drive Pin	1
15	140802	1769-XRA	Field Replacement Seal Assembly ¹	1
	Special Order	1769-2XR_	Fiel Repl. Seal Assy Coro-Seal ¹	1

O-Ring Code	
A	Buna-N
B	Neoprene ^{® 2}
D	Viton ^{® 2}
E	Teflon ^{® 2}

Buna-N Standard O-Ring Material

¹ Denotes O-Ring code. See chart to the right for details.

² Registered Trademark of the DuPont Company.

³ Available in Buna-N only.

Baldor Motors				
Item Number	Part Number	Horsepower	Frame Size	Specifications
140412	EM3615T	5	184T	TEFC 3-Phase 50/60 Hz 1800 RPM
140417	EM3710T	7.5	213T	
140422	EM3774T	10	215T	
140427	EM2333T	15	254T	
140432	EM2334T	20	256T	
140437	EM4103T	25	284T	

Single Phase available (Will change frame size).



EM3615T



EM2334T

Blackmer Bare Pumps				
Item Number	Part Number	Inlet	Outlet	Flow Rate - GPM
142052	LGLD2E	2" FNPT	2" FNPT	30-67
142057	LGL3021	3" FNPT	3" FNPT	59-133
142036	LGLD4B			130-270

LGL3021 is a direct replacement for Corken 1021.



LGLD2E



LGLD4B

Blackmer Pump Repair Kits					
Item Number	142513	142516	142518	142538	142533
Part Number	898994	898917	898918	898919	898976
Model Numbers	LGF1E, LGB1E, LGF1PE & LGB1PE	LGRL1.25 LGR1F 1.25A (4 Vane) <u>LGRL1.25</u>	LGL1.25 LGLF 1.25A (4 Vane) <u>LGLF1.25</u>	LGL1.5 LGLF1.5A (4Vane)	LGRL1.25, LGLF1.25A LGL1.25, LGLF1.25A LGL1.5, LGLF1.5A (8 Vane)
Relief Valve Spring	472901 (1)	471428 (1)	471428 (1)	471428 (1)	471428 (1)
O-Ring (Spring Guide)	711940 (1) *	-----	-----	-----	-----
Relief Valve	452901 (1)	453077 (1)	453077 (1)	453077 (1)	453077 (1)
O-Ring (R/V Cover)	701965 (1) *	711924 (1) *	711924 (1) *	711924 (1) *	711924 (1) *
O-Ring (R/V Cap)	-----	701949 (1) *	701949 (1) *	701949 (1) *	701949 (1) *
Vanes - Set	092913 (6) *	093088 (4) *	093088 (4) *	093088 (4) *	093088 (8) *
Push Rod	-----	123004 (2) *	123076 (2) *	123401 (2) *	-----
Bearings	903405 (2) *	903114 (2) *	903114 (2) *	903114 (2) *	903114 (2) *
Bearing Lockwasher	903532 (2) *	903533 (2) *	903533 (2) *	903533 (2) *	903533 (2) *
Bearing Cover Gasket	383075 (1) *	383075 (2) *	383075 (2) *	383075 (2) *	383075 (2) *
Disc	-----	063075 (2) *	063075 (2) *	063075 (2) *	063075 (2) *
O-Ring (Head)	711941 (1) *	701918 (2) *	701918 (2) *	701918 (2) *	701918 (2) *
Grease Seal	331934 (1) *	331927 (1) *	331927 (1) *	331927 (1) *	331927 (1) *
Mechanical Seal	332920 (2) *	333045 (2) *	333045 (2) *	333045 (2) *	333045 (2) *
Shaft Key	909126 (1) *	909125 (1) *	909125 (1) *	909125 (1) *	909125 (1) *

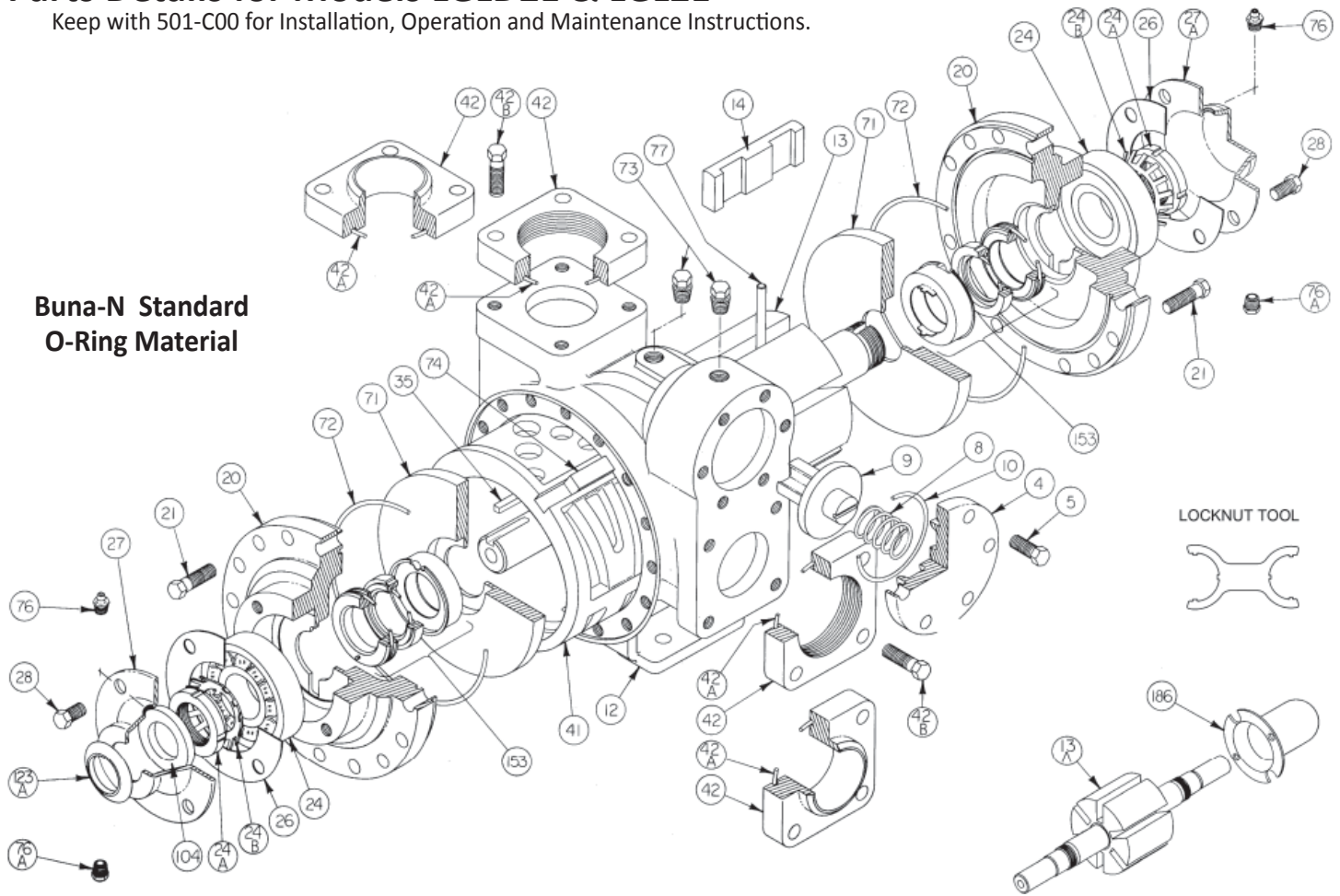
Blackmer Pump Repair Kits					
Item Number	142522	142535	142539	142527	142527
Part Number	898979	898981	898980	898922	898922
Model Numbers	LGL2E LGLD2E	LGL3F LGLD3F <u>LGL3E, LGLD3E</u>	TLGLF3C	LGL4A LGLD4A, LGLD4B <u>LGL4, LGLD4</u>	TLGLF4B <u>TLGLF4A</u> <u>TLGLF4</u>
Relief Valve Spring	471423 (1)	475135 (1)	471428 (1)	472039 (1)	472039 (1)
Relief Valve	454405 (1)	455129 (1)	451417 (1)	452001 (1)	452001 (1)
O-Ring (R/V Cover)	701919 (1) *	701925 (1) *	701919 (1) *	701946 (1) *	701946 (1) *
O-Ring (R/V Cap)	-----	-----	-----	701926 (1) *	701926 (1) *
Vanes - Set	091419 (6) *	095131 (6) *	095132 (6) *	092019 (6) *	092019 (6) *
Push Rod	123905 (3) * <i>Stl</i>	125110 (3) * <i>Com</i>	121607 (3) * <i>Stl</i>	122005 (3) * <i>STL</i>	122009 (3) * <i>Com</i>
Bearings	903156 (2) *	903166 (2) *	903156 (2) *	903166 (2) *	903166 (2) *
Bearing Lockwasher	903522 (2) *	903524 (2) *	903522 (2) *	903524 (2) *	903524 (2) *
Bearing Cover Gasket	383940 (2) *	385125 (1) *	383940 (2) *	385125 (1) *	385125 (1) *
Disc	064412 (2) *	065112 (2) *	065121 (2) *	062039 (2) *	062039 (2) *
O-Ring (Head)	702022 (2) *	702041 (2) *	7119123 (2) *	702039 (2) *	702039 (2) *
O-Ring (Flange)	702004 (2) *	702002 (2) *	702004 (2) *	701937 (2) *	702004 (2) *
O-Ring (Flange) Older Pumps	-----	-----	701919 (2) *	-----	-----
Grease Seal	331918 (1) *	331908 (1) *	331918 (2) *	331908 (2) *	331908 (2) *
Dirt Shield	701480 (1) *	-----	701480 (2) *	-----	-----
Mechanical Seal	334439 (2) *	335225 (2) *	334439 (2) *	332050 (2) *	332050 (2) *
Shaft Key	909209 (1) *	909209 (1) *	909130 (1) *	909183 (1) *	909183 (1) *

* Items included in repair kits. *Stl* = Steel Pushrod *Com* = Composition Pushrod

Parts Details for Models LGLD2E & LGL2E

Keep with 501-C00 for Installation, Operation and Maintenance Instructions.

**Buna-N Standard
O-Ring Material**



Ref No.	Item Number	Part Number	Description	Qty.	Ref No.	Item Number	Part Number	Description	Qty.
4	Special Order	414401	Cover — Relief Valve (R/V)	1	35	Special Order	^{1,7} 909209	Key — Shaft, 1/4" Square	1
5	Special Order	920331	Capscrews — R/V Cover	6	41		² 184405	Liner	1
8	142387	¹ 471423	Spring — R/V	1	42	Special Order	654401	Flange — NPT	2
9	142378	454405	Valve — R/V	1		Special Order	654405	Flange — Weld	2
10	142438	¹ 701919	O-Ring — R/V Cover	1	42A		¹ 702004	O-Ring — Flange	2
12	142080	014405	Casing	1	42B	Special Order	920384	Capscrew — NPT Flange	8
13	142201	264443	Rotor & Shaft Asy. — LGL (includes Ref. Nos. 24A & 24B)	1		Special Order	920351	Capscrew — Weld Flange	8
13A	142207	² 264445	Rotor & Shaft Asy. — LGLD ⁵ (includes Ref. Nos. 24A & 24B)	1	71		¹ 064412	Disc	2
14	142139	¹ 091419	Vane — Duravane (Std.)	6	72		¹ 702022	O-Ring — Head	2
20	142106	034416	Head	2	73	Special Order	908198	Gage Plug	2
21	Special Order	920351	Capscrews — Head (Size 2)	32	74		² 183991	Key — Liner	1
24	142536	¹ 903156	Ball Bearing	2	76		142206 317815	Grease Fitting	2
24A	142544	² 903521	Locknut — Bearing	2	76A		142478 701992	Grease Relief Fitting	2
24B	142546	¹ 903522	Lockwasher — Bearing	2	77		142172 ^{1,6} 123905	Push Rod	3
26	142288	¹ 383940	Gasket — Bearing Cover	2	104		142240 ^{1,3} 331918	Grease Seal	1
27	142112	041431	Bearing Cover (Inboard) ³	1	123A		142432 ^{1,3} 701480	Dirt Shield	1
27A	142114	041433	Bearing Cover (Outboard) ⁴	1	186	Special Order	341601	Shaft Protector (LGLD Models Only)	1
28	Special Order	920285	Capscrews — Bearing Cover	8 - 12	---	Special Order	903091	Tool — Locknut	---
					---		142522 898979	Kit — Maintenance	---
					---		142529 899079	Kit — Rebuild	---

¹ Included in Maintenance Kit & Rebuild Kit.

² Included in Rebuild Kit.

The following applies to double end shaft pumps (LGLD): ³ Use Two. ⁴ Use None.

⁵ Double-Ended Rotor & Shaft. ⁶ 2" Pushrod is Metal, 3" is Composite.

⁶ Pumps before April 2008 used Woodruff key 909130, included in Maintenance Kits. ⁸ Pumps before 1995 require liner key 184407.

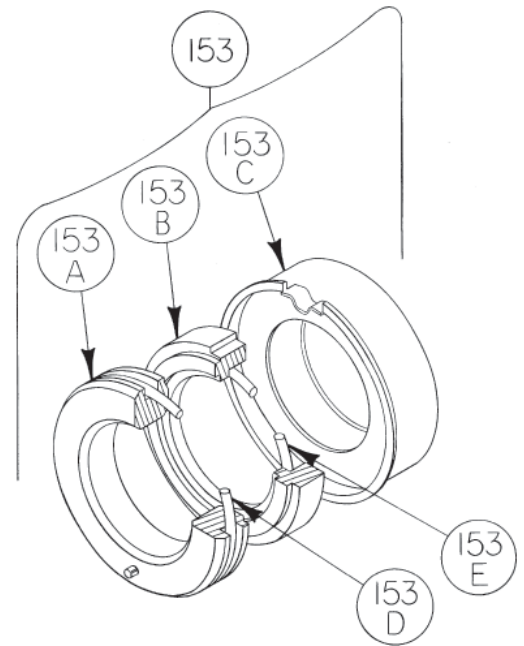
Parts Details for Models LGLD2E & LGL2E

Mechanical Seal — NH₃ Or Dual Service — SNCN (ID Code = QA)

Ref No.	Item Number	Part Number	Description	Qty.
153	Special Order	¹ 334439	Mechanical Seal Assembly	2
153A	Special Order	*	Stationary Seat (Hardened Steel)	2
153B	Special Order	*	Seal Face (Carbon)	2
153C	Special Order	*	Jacket Assembly	2
153D	Special Order	711924	O-Ring — Stationary (Buna-N)	2
153E	Special Order	711918	O-Ring — Rotating (Buna-N)	2

¹Included in Maintenance Kit & Rebuild Kit.

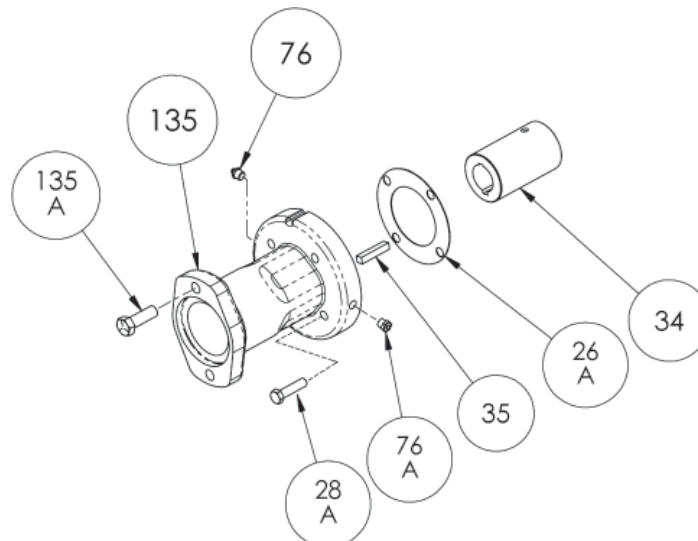
* Note: Mechanical Seal Assy. (Ref 153) is only sold as a complete assembly.
Ref. Nos. 153A, 153B, & 153C are not available as separate replacement parts.



Optional 1 1/4" Hydraulic Motor Adapter Parts

Ref No.	Item Number	Part Number	Description	Qty.
See Below	Special Order	894425	Hydraulic Motor Adapter Kit *	See Below
26A	142288	383940	Gasket — Hydraulic Motor Adapter	1
28A	Special Order	920369	Capscrew — Hydraulic Motor Adapter / Head	4 / 6
34	Special Order	906967	Coupling w/ Setscrew — 1.25" Straight Key Hyd. Motor Shaft	1
35	Special Order	909184	Key — Coupling	1
76	142206	317815	Grease Fitting	1
76A	142478	701992	Grease Relief Fitting	1
135	Special Order	041827	Hydraulic Motor Adapter — SAE A Flange	1
135A	Special Order	920510	Capscrew — Adapter / Motor	2

* Hydraulic Motor Adapter Kits shipped prior to Spring 2002 were of a two piece design — refer to page 206-C00.

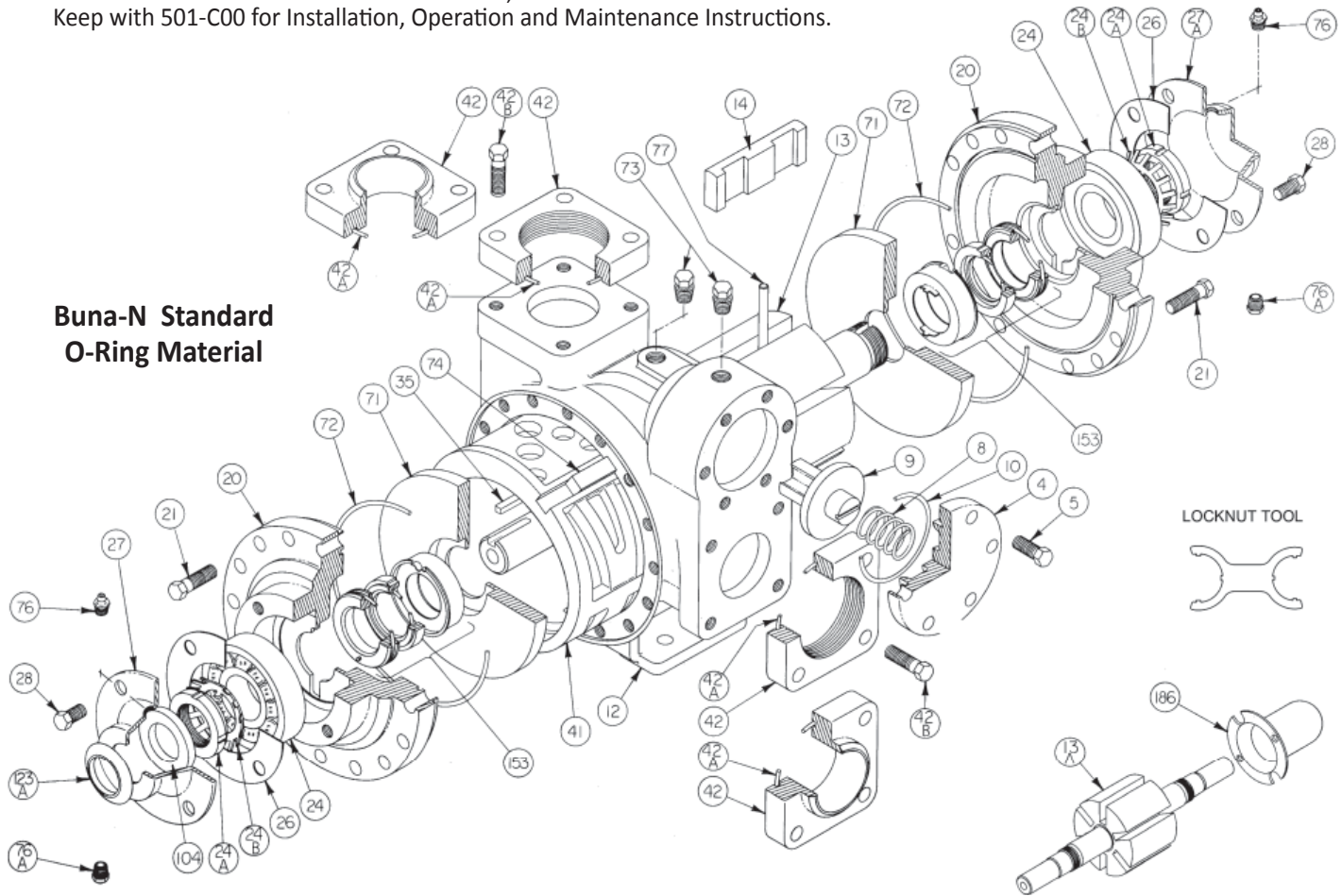


Parts Details for Models LGLD3F & LGL3F

and discontinued LGLD3E, LGL3E

Keep with 501-C00 for Installation, Operation and Maintenance Instructions.

**Buna-N Standard
O-Ring Material**



Ref No.	Item Number	Part Number	Description	Qty.	Ref No.	Item Number	Part Number	Description	Qty.
4	142322	415113	Cover — Relief Valve (R/V)	1	35	Special Order	^{1,7} 909209	Key — Shaft, 1/4" Square	1
5	Special Order	920331	Capscrews — R/V Cover	6	41	142184	² 185111	Liner	1
8	142407	¹ 475135	Spring — R/V	1	42	142426	655112	Flange — NPT	2
9	142380	455129	Valve — R/V	1	Special Order		655102	Flange — Weld	
10	142444	¹ 701925	O-Ring — R/V Cover	1	42A	142473	¹ 702002	O-Ring — Flange	2
12	Special Order	015127	Casing	1	Special Order		920547	Capscrew — NPT Flange	
13	142202	265149	Rotor & Shaft Assy. — LGL (includes Ref. Nos. 24A & 24B)	1	Special Order		920510	Capscrew — Weld Flange	8
13A	142205	² 265148	Rotor & Shaft Assy. — LGLD ⁵ (includes Ref. Nos. 24A & 24B)	1	71	142133	¹ 065112	Disc	2
14	142159	¹ 095131	Vane — Duravane (Std.)	6	72	142479	¹ 702041	O-Ring — Head	2
20	142110	035128	Head	2	73	Special Order	908198	Gage Plug	2
21	Special Order	920369	Capscrews — Head (Size 3)	40	74	142186	² 185191	Key — Liner	1
24	142537	¹ 903166	Ball Bearing	2	76	142206	317815	Grease Fitting	2
24A	142548	² 903523	Locknut — Bearing	2	76A	142478	701992	Grease Relief Fitting	2
24B	142550	¹ 903524	Lockwasher — Bearing	2	77	Special Order	^{1,6} 125110	Push Rod	3
26	142292	¹ 385125	Gasket — Bearing Cover	2	104	142234	¹ 331908	Grease Seal	1
27	142116	041815	Bearing Cover (Inboard) ³	1	123A	Special Order	N/A	Dirt Shield	1
27A	142118	041817	Bearing Cover (Outboard) ⁴	1	186	Special Order	341801	Shaft Protector (LGLD Models Only)	1
28	Special Order	920285	Capscrews — Bearing Cover	8-12	---	Special Order	903091	Tool — Locknut	---
					---	142535	898981	Kit — Maintenance	---
					---	142530	899081	Kit — Rebuild	---

¹ Included in Maintenance Kit & Rebuild Kit.

² Included in Rebuild Kit.

The following applies to double end shaft pumps (LGLD): ³ Use Two. ⁴ Use None.

⁵ Double-Ended Rotor & Shaft. ⁶ 2" Pushrod is Metal, 3" is Composite.

⁶ Pumps before April 2008 used Woodruff key 909130, included in Maintenance Kits. ⁸ Pumps before 1995 require liner key 184407.

LGL Series Pumps Breakdown



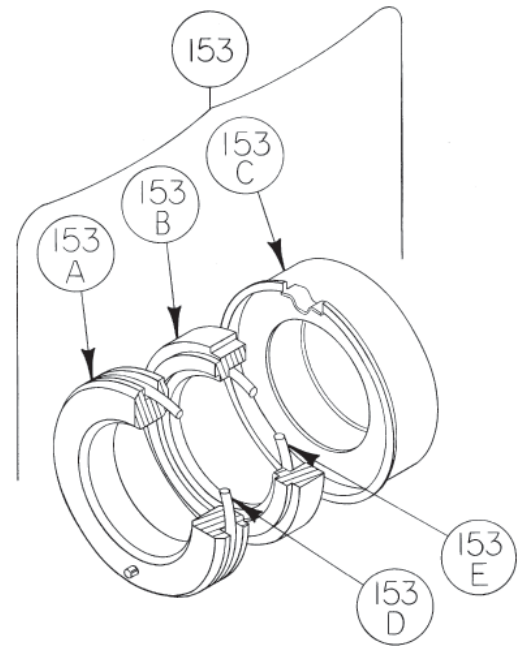
Parts Details for Models LGLD3F, LGL3F and discontinued LGLD3E, LGL3E

Mechanical Seal — NH₃ Or Dual Service — SNCN (ID Code = QA)

Ref No.	Item Number	Part Number	Description	Qty.
153	142273	1 335225	Mechanical Seal Assembly	2
153A	Special Order	*	Stationary Seat (Hardened Steel)	2
153B	Special Order	*	Seal Face (Carbon)	2
153C	Special Order	*	Jacket Assembly	2
153D	142449	702025	O-Ring — Stationary (Buna-N)	2
153E	Special Order	711912	O-Ring — Rotating (Buna-N)	2

¹ Included in Maintenance Kit & Rebuild Kit.

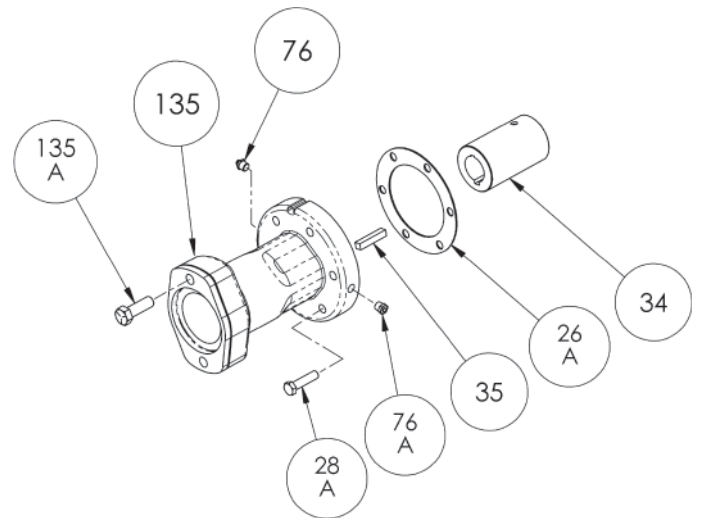
* Note: Mechanical Seal Assy. (Ref 153) is only sold as a complete assembly.
Ref. Nos. 153A, 153B, & 153C are not available as separate replacement parts.



Optional 1" Hydraulic Motor Adapter Parts

Ref No.	Item Number	Part Number	Description	Qty.
See Below	Special Order	895143	Hydraulic Motor Adapter Kit *	See Below
26A	Special Order	381817	Gasket — Hydraulic Motor Adapter	1
28A	Special Order	920369	Capscrew — Hydraulic Motor Adapter / Head	4 / 6
34	Special Order	906990	Coupling w/ Setscrew — Straight Key Hyd. Motor Shaft	1
35	Special Order	909184	Key — Coupling	1
76	142206	317815	Grease Fitting	1
76A	142478	701992	Grease Relief Fitting	1
135	Special Order	041831	Hydraulic Motor Adapter — SAE A Flange	1
135A	Special Order	920510	Capscrew — Adapter / Motor	2

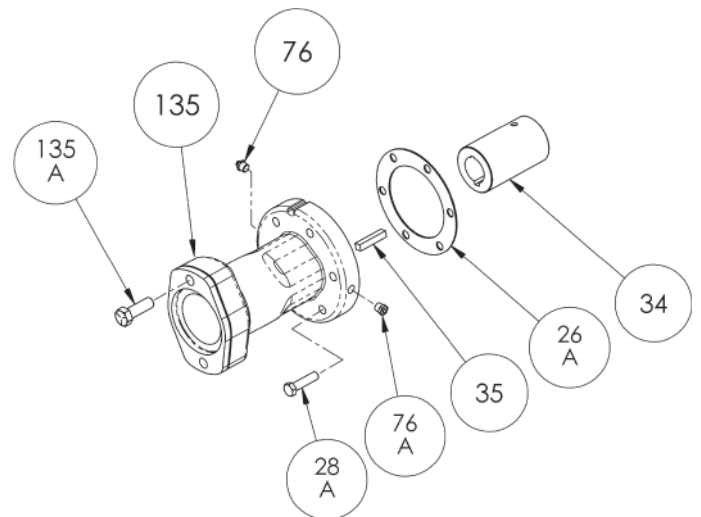
* Hydraulic Motor Adapter Kits shipped prior to Spring 2002 were of a two piece design — refer to page 206-C00.



Optional 1 1/4" Hydraulic Motor Adapter Parts

Ref No.	Item Number	Part Number	Description	Qty.
See Below	Special Order	895140	Hydraulic Motor Adapter Kit *	See Below
26A	Special Order	381817	Gasket — Hydraulic Motor Adapter	1
28A	Special Order	920369	Capscrew — Hydraulic Motor Adapter / Head	4 / 6
34	Special Order	906967	Coupling w/ Setscrew — 1.25" Straight Key Hyd. Motor Shaft	1
35	Special Order	909184	Key — Coupling	1
76	142206	317815	Grease Fitting	1
76A	142478	701992	Grease Relief Fitting	1
135	Special Order	041831	Hydraulic Motor Adapter — SAE A Flange	1
135A	Special Order	920510	Capscrew — Adapter / Motor	2

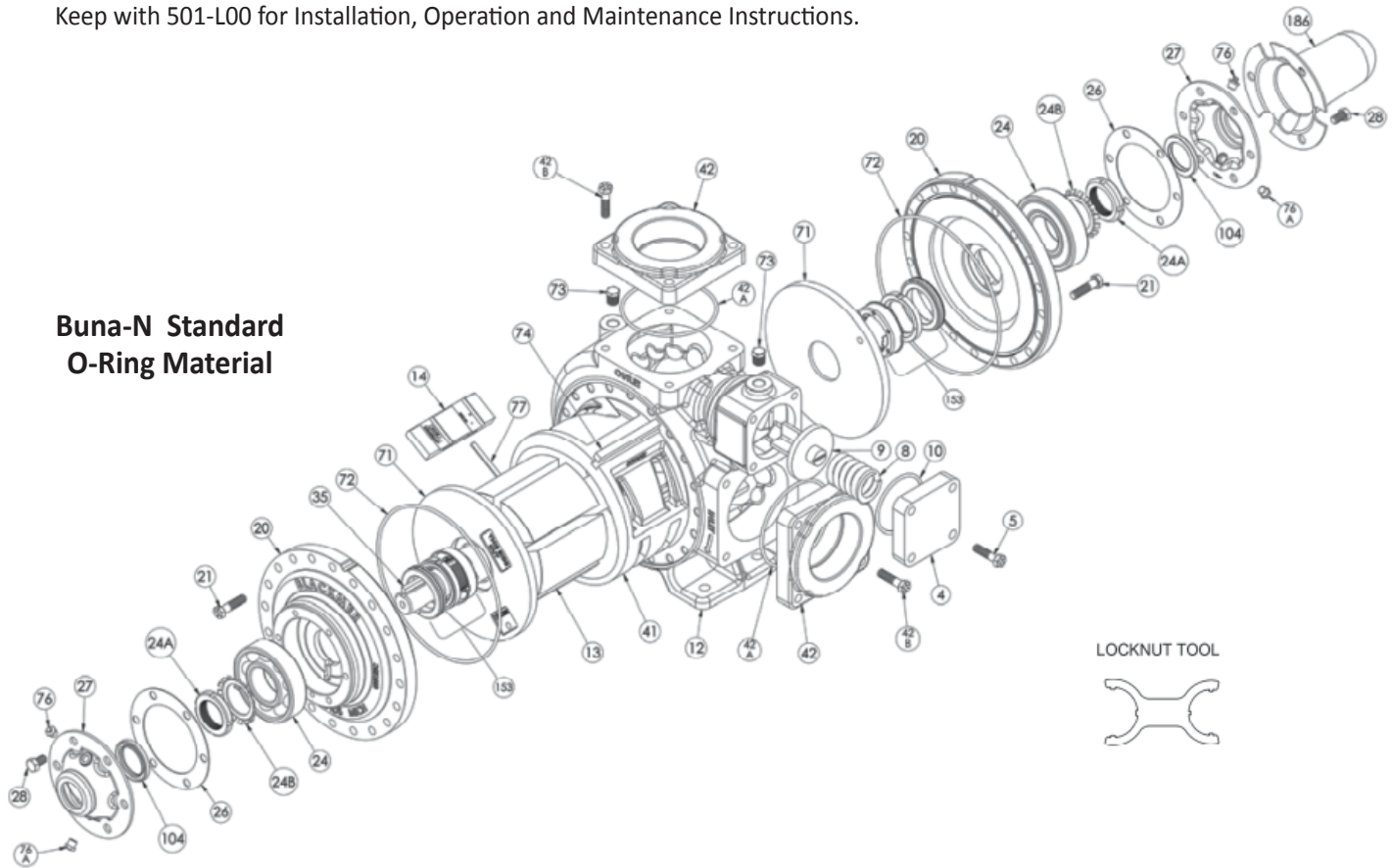
* Hydraulic Motor Adapter Kits shipped prior to Spring 2002 were of a two piece design — refer to page 206-C00.



Parts Details for Models LGL3021A

Keep with 501-L00 for Installation, Operation and Maintenance Instructions.

**Buna-N Standard
O-Ring Material**



Ref No.	Item Number	Part Number	Description	Qty.	Ref No.	Item Number	Part Number	Description	Qty.
4	Special Order	415115	Cover — Relief Valve (R/V)	1	41	142184	² 185111	Liner	1
5	Special Order	920379	Capscrews — R/V Cover	4	42	Special Order	655132	Flange — NPT 3"	2
8	142407	¹ 475135	Spring — R/V	1	42	Special Order	655133	Flange — NPT 4"	
9	142380	455129	Valve — R/V	1	42A	Special Order	¹ 712245	O-Ring — 3" Flange	2
10	142506	¹ 711941	O-Ring — R/V Cover	1	42A	Special Order	¹ 794126	O-Ring — 4" Flange	
12	Special Order	015131	Casing	1	42B	Special Order	920379	Capscrew — NPT Flange	8
13A	Special Order	² 265190	Rotor & Shaft Asy. (includes Ref. Nos. 24A & 24B)	1	71	142133	¹ 065112	Disc	2
14	142159	¹ 095131	Vane — Duravane	6	72	142479	¹ 702041	O-Ring — Head	2
20	142110	035128	Head	2	73	Special Order	908198	Gage Plug	2
21	Special Order	920379	Capscrews — Head	40	74	142186	² 185191	Key — Liner	1
24	142537	¹ 903166	Ball Bearing	2	76	142206	317815	Grease Fitting	2
24A	142548	² 903523	Locknut — Bearing	2	76A	142478	701992	Grease Relief Fitting	2
24B	142550	¹ 903524	Lockwasher — Bearing	2	77	Special Order	¹ 125110	Push Rod	3
26	142292	¹ 385125	Gasket — Bearing Cover	2	104	142234	¹ 331908	Grease Seal	1
27	142116	041815	Bearing Cover	2	186	Special Order	341801	Shaft Protector	1
28	Special Order	920285	Capscrews — Bearing Cover	12	---	Special Order	903091	Tool — Locknut	---
35	Special Order	¹ 909209	Key — Shaft, 1/4" Square	1	---	Special Order	899195	Kit — Maintenance	---
					---	Special Order	899095	Kit — Rebuild	---

¹ Included in Maintenance Kit & Rebuild Kit.

² Included in Rebuild Kit.

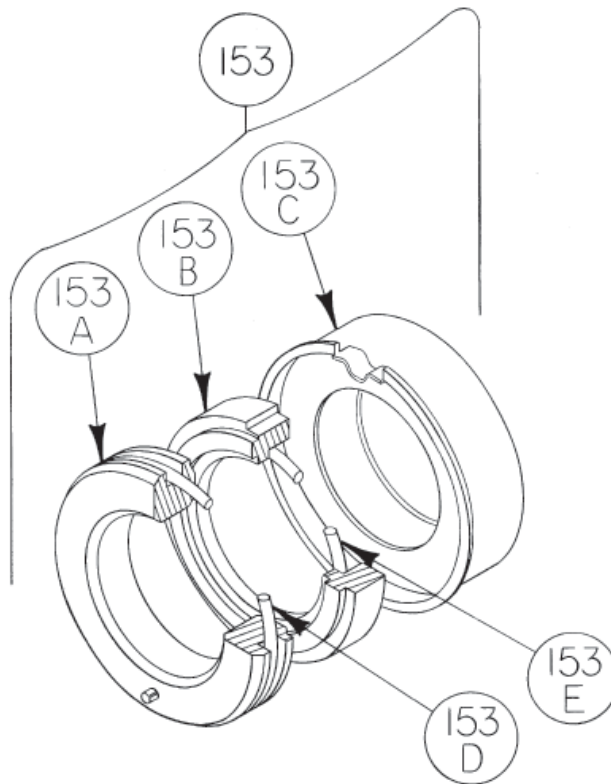
Parts Details for Models LGL3021A

Mechanical Seal — NH₃ Or Dual Service — SNCN (ID Code = QA)

Ref No.	Item Number	Part Number	Description	Qty.
153	142273	¹ 335225	Mechanical Seal Assembly	2
153A	Special Order	*	Stationary Seat (Steel)	2
153B	Special Order	*	Seal Face (Carbon)	2
153C	Special Order	*	Jacket Assembly	2
153D	142449	702025	O-Ring — Stationary (Buna-N)	2
153E	Special Order	711912	O-Ring — Rotating (Buna-N)	2

¹Included in Maintenance Kit & Rebuild Kit.

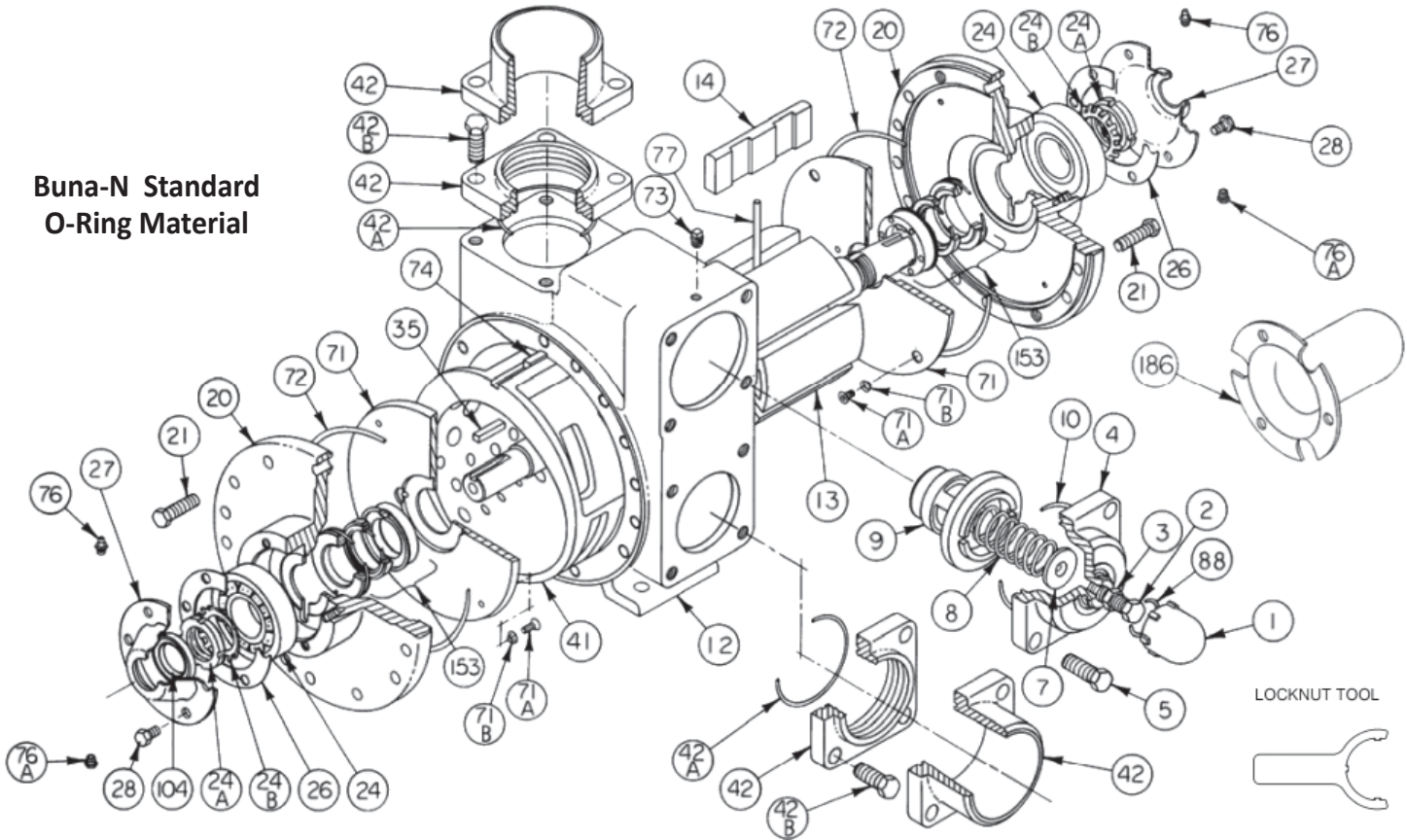
* Note: Mechanical Seal Assy. (Ref 153) is only sold as a complete assembly.
Ref. Nos. 153A, 153B, & 153C are not available as separate replacement parts.



Parts Details for Models LGLD4B

Keep with 501-E00 for Installation, Operation and Maintenance Instructions.

**Buna-N Standard
O-Ring Material**



Ref No.	Item Number	Part Number	Description	Qty.	Ref No.	Item Number	Part Number	Description	Qty.
1	Special Order	413957	Cap — Relief Valve (R/V)	1	41	142173	² 182000	Liner	1
2	Special Order	436310	Adjusting Screw — R/V	1	42	142416	652012	Flange - 3" NPT	1-2
3	Special Order	432039	Locknut — Adjusting Screw	1		Special Order	652007	Flange - 3" Weld	
4	Special Order	412001	Cover — R/V	1		Special Order	652005	Flange - 4" Weld	
5	Special Order	920663	Capscrews — R/V Cover	4	42A	142452	¹ 701937	O-Ring — NPT, Weld Flange	2
7	142338	426355	Spring Guide — R/V	1	42B	Special Order	920663	Capscrew — NPT Flange	8
8	142404	¹ 472039	Spring — R/V	1		142617	920640	Capscrew — Weld Flange	
9	142360	452001	Valve — R/V	1	71	142129	¹ 062039	Disc	2
10	142458	¹ 701946	O-Ring — R/V Cover	1	71A	142284	² 920015	Machine Screw — Disc	8
12	Special Order	012019	Casing	1	71B	Special Order	² 909634	Lockwasher — Machine Screw	8
13	142508	² 262041	Rotor & Shaft Asy. (includes Ref. Nos. 24A & 24B)	1	72	142481	¹ 702039	O-Ring — Head	2
14	142145	¹ 092019	Vane — Duravane	6	73	Special Order	908198	Gage Plug	2
20	Special Order	032041	Head	2	74	Special Order	² 182040	Key — Liner	1
21	142614	920532	Capscrews — Head	28	76	142206	317815	Grease Fitting	2
24	142537	¹ 903166	Ball Bearing	2	76A	142478	701992	Grease Relief Fitting	2
24A	142555	² 903541	Locknut — Bearing	2	77	142166	¹ 122009	Push Rod — Composite — LGLD4B	3
24B	142556	¹ 903542	Lockwasher — Bearing	2	88	142445	¹ 701926	O-Ring — R/V Cap	1
26	142292	¹ 385125	Gasket — Bearing Cover	2	104	142234	¹ 331908	Grease Seal — LGLD4B	2
27	142116	041815	Bearing Cover	2	186	Special Order	341801	Shaft Protector	1
28	Special Order	920285	Capscrews — Bearing Cover	12		142545	903092	Tool — Locknut	---
35	142578	¹ 909183	Key — Shaft	1		142527	898922	Kit — Maintenance	---
						142571	899022	Kit — Rebuild — LGLD4B	---

¹ Included in Maintenance Kit & Rebuild Kit. ² Included in Rebuild Kit.

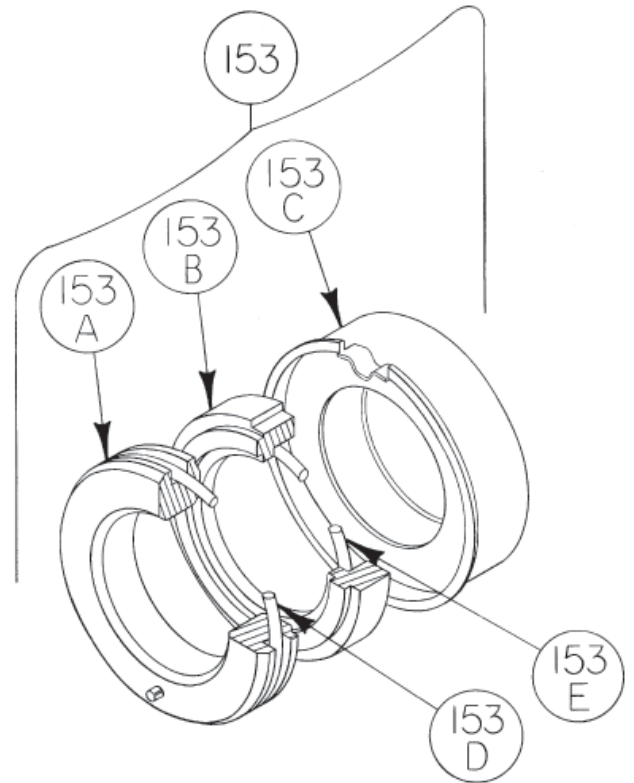
Parts Details for Models LGLD4B

Mechanical Seal

Ref No.	Item Number	Part Number	Description	Qty.
153	142252	¹ 332050	Mechanical Seal Assembly	2
153A	Special Order	*	Stationary Seat (Hardened Steel)	2
153B	Special Order	*	Seal Face (Carbon)	2
153C	Special Order	*	Jacket Assembly	2
153D	142461	701934	O-Ring — Stationary (Buna-N)	2
153E	Special Order	711912	O-Ring — Rotating (Buna-N)	2

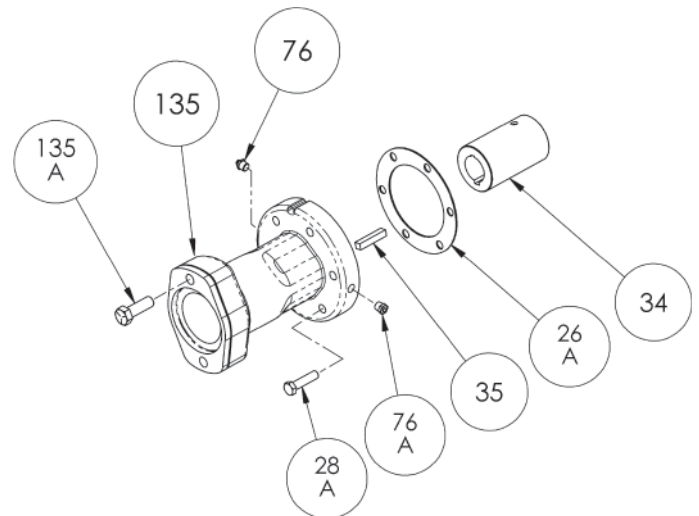
¹Included in Maintenance Kit & Rebuild Kit.

* Note: Mechanical Seal Assy. (Ref 153) is only sold as a complete assembly.
Ref. Nos. 153A, 153B, & 153C are not available as separate replacement parts.



Optional Hydraulic Motor Adapter Parts

Ref No.	Item Number	Part Number	Description	Qty.
See Below	142547	892037	Hydraulic Motor Adapter Kit	See Below
26A	Special Order	381817	Gasket — Hydraulic Motor Adapter	1
28A	Special Order	920369	Capscrew — Hydraulic Motor Adapter / Head	6
34	Special Order	906970	Coupling w/ Setscrew — 1.25" Straight Key Hyd. Motor Shaft	1
35	Special Order	909184	Key — Coupling	1
76	142206	317815	Grease Fitting	1
76A	142478	701992	Grease Relief Fitting	1
135	Special Order	041829	Hydraulic Motor Adapter — SAE A Flange	1
135A	Special Order	920510	Capscrew — Adapter / Motor	2



Corken Bare Compressor with Flywheel

Item Number	Part Number	Approximate Capacity
140200	91AJ3FBANSNN	23-46 GPM
140211	291AM3FBANSNN	45-85 GPM
140221	491AM3FBANSNN	85-181 GPM
140231	691AM3FBANSNN	165-338 GPM



291



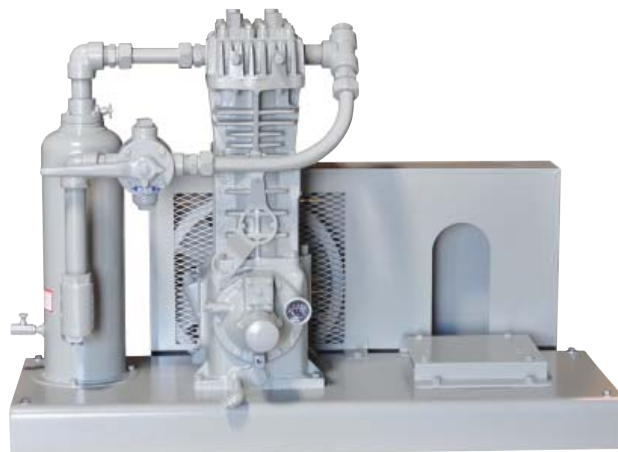
491

Corken Base Mounted Compressors

Item Number	Part Number	RPM	3 Phase Motor - HP	Frame Size
140250	91AJ3FBANSNN-107-1-695-184T	695	5	184T
140261	291AM3FBANSNN-107-3-695-215T	695	10	215T
140271	491AM3FBANSNN-107-5-670-254T	670	15	254T
140281	691AM3FBANSNN-107-7-640-256T	640	20	256T

107 Style - Mounting includes steel baseplate, mechanical liquid trap, non-lube 4-way valve, interconnecting piping, strainer, adjustable driver side base, V-belt drive and enclosed belt guard. Pressure gauges are mounted on the compressor.

Motor sold separately.



491-107

91 Compressor Parts			
Item Number	Part Number	Description	Qty.
141061	3483-1X1 *	Suction Valve	1
140914	3485-X *	Discharge Valve	1
140735	1367 *	Connecting Rod Bearing	1 Pair
140745	1452-1X1 *	Packing Set	1
140806	1772 *	Piston Rings	3
140799	1775 *	Ring Expander	3
140843	2526-XA *	Gasket Set	1
Special Order	3259 *	Oil Seal	1
140605	1132-X2	Crosshead Assembly	2
140969	1983-X	Piston Assembly	2
140944	2-235A	Head O-Ring	2
140920	3549-X1	Repair Kit *	1
291 Compressor Parts			
Item Number	Part Number	Description	Qty.
141061	3483-1X1 *	Suction Valve	2
140914	3485-X *	Discharge Valve	2
140735	1367 *	Connecting Rod Bearing	2 Pair
140745	1452-1X1 *	Packing Set	2
140806	1772 *	Piston Rings	6
140799	1775 *	Ring Expander	6
140665	1281-XA *	Gasket Set	1
140667	1278 *	Oil Seal	1
140605	1132-X2	Crosshead Assembly	2
140969	1983-X	Piston Assembly	2
140944	2-235A	Head O-Ring	2
140921	3550-X1	Repair Kit *	1
691 Compressor Parts			
Item Number	Part Number	Description	Qty.
141023	3948-X *	Suction Valve	2
141026	3857-X *	Discharge Valve	2
140978	2797 *	Valve Cage	4
140739	1719 *	Connecting Rod Bearing	2 Pair
140782	1725-2X *	Packing Set	2
140783	1739 *	Piston Rings	6
140784	1740 *	Ring Expander	6
141143	1744-X1A *	Gasket Set	1
140993	1717-X1	Crosshead Assembly	2
Special Order	1987-X1	Piston Assembly	2
140976	1744	Head Gasket	2
140923	3552-X1	Repair Kit *	1

Above parts for Model Numbers 690K3 & 691P3 (1 5/8" Crankshaft)

All Repair Kits are Furnished with Buna-N O-Rings.

Provide Model & Serial Number when Ordering Parts.

* These Parts are Included in Repair Kits.

491 Compressor Parts			
Item Number	Part Number	Description	Qty.
141067	2532-1X *	Suction Valve	2
140828	2439-X *	Discharge Valve	2
140864	2448 *	Valve Cage	4
140760	1491 *	Connecting Rod Bearing	2 Pair
140745	1452-1X1 *	Packing Set	2
140759	1773 *	Piston Rings	6
140761	1776 *	Ring Expander	6
140755	1481-XA *	Gasket Set	1
140714	2-242A *	O-Ring	2
141142	2-253A *	O-Ring	2
140764	1507 (490 Only) *	Oil Seal	1
140787	4438 (491 Only) *	Oil Seal	1
140733	1486 *	Adapter Plate Gasket	1
140746	1384-X	Crosshead Assembly	2
140701	1985-X	Piston Assembly	2
140754	1481	Head Gasket	2
140922	3551-X1	Repair Kit *	1

691 Compressor Parts			
Item Number	Part Number	Description	Qty.
141023	3948-X *	Suction Valve	2
141026	3857-X *	Discharge Valve	2
140978	2797 *	Valve Cage	4
140901	3542 *	Connecting Rod Bearing	2 Pair
140782	1725-2X *	Packing Set	2
140783	1739 *	Piston Rings	6
140784	1740 *	Ring Expander	6
141143	1744-X1A *	Gasket Set	1
140786	3526 *	Oil Seal	1
140892	3544-X4	Crosshead Assembly	2
Special Order	1987-X1	Piston Assembly	2
140950	2-261A	Head O-Ring	2
141030	3552-X2	Repair Kit *	1

Above parts for Model Numbers 690M3 & 691M3 (2 1/8" Crankshaft)

Riser Valves							
Item Number	Part Number	Application	Inlet Connection	Outlet Connection	Excess Flow Rate	Repair Kit	1/4" FNPT Side Outlet
110575	AL477EP	Liquid Riser Pump Service Only	1 1/4" MNPT	1" FNPT	70 GPM	310-22	Plugged
110590	AL478EP			1 1/4" FNPT			
110595	A490NR-95		2" MNPT	1 1/4" FNPT	95 GPM	480-22	With Hydrostatic Relief
110596	A490NR-110				110 GPM		

Valves Must Be Used With At Least A 2" Forged Steel Fitting.

Sizing Excess Flows - Refer To Local Codes.

DO NOT USE RISER VALVES IN NURSE TANKS.

ID Tags



AL477 & AL478

A490N



Square - 95 GPM



Clover - 110 GPM

TriPod Safety Couplers					
Item Number	Part Number	Inlet	Outlet	Capacity	Separation Force Bulkhead/Transport
113051	TP-5 *	1" MNPT	1" MNPT	55 GPM	100 Ft. Lbs ~
113056	TP-6 *			77 GPM	200 Ft. Lbs ~
113059	TP-7 *	1-1/4" MNPT	1-1/4" MNPT	126 GPM	200 Ft. Lbs ~
113065	TP-4	3" MNPT X 2" FNPT	3" MNPT X 2" FNPT	350 GPM	350 Ft. Lbs ~

* Includes Bar / Hardware Kit For Riser Mounting.

~ See IOM.



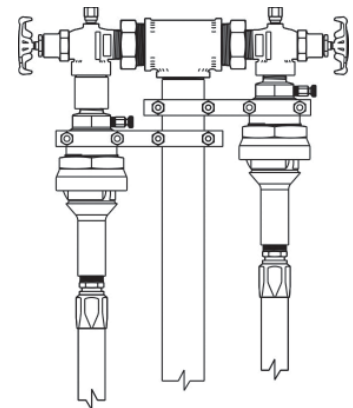
TP4



TP6



Hardware Kit



Typical Riser Installation

TriPod Parts							
Part Number	MFG Dates	Ball Socket O-Ring		Body O-Ring		O-Ring Kit	
		Item Number	Part Number	Item Number	Part Number	Item Number	Part Number
T55	10/93-6/94	119406	P5-086-RO	119412	P5-087-RO	119418	TP1-1304
TP1-1000	10/93-5/97	119406	P5-086-RO	119412	P5-087-RO	119418	TP1-1304
TP1-1001	6/97-4/01	119406	P5-086-RO	* Pinned - Factory Rebuild Only - Updates To TP5-1000 (Set Screw)			
TP5-1000	5/01-Present	119406	P5-086-RO	119433	P5-086-R1	119430	TP5-0022
T77	10/93-6/94	119408	P5-091-RO	119414	P5-090-RO	119420	TP2-1304
TP2-1000	10/93-2/98	119408	P5-091-RO	119414	P5-090-RO	119420	TP2-1304
TP2-1001	3/98-4/01	119408	P5-091-RO	* Pinned - Factory Rebuild Only - Updates To TP6-1000 (Set Screw)			
TP6-1000	5/01-Present	119408	P5-091-RO	119436	P5-152-RO	119431	TP6-0022
				119437	P5-153-RO		
T126	10/93-6/94	119410	TP3-2020	119416	TP3-2023	119422	TP3-1304
TP3-1000	10/93-6/94	119410	TP3-2020	119416	TP3-2023	119422	TP3-1304
TP3-1000	12/96-9/97	119423	P5-095-R1	119434	P5-094-RO	-----	-----
		119424	P5-096-R1	119435	P5-095-RO		
TP3-1001	4/98-4/01	119423	P5-095-R1	* Pinned - Factory Rebuild Only - Updates To TP7-1000 (Set Screw)			
		119424	P5-096-R1				
TP7-1000	5/01-Present	119423	P5-095-R1	119434	P5-094-RO	119432	TP7-0022
		119424	P5-096-R1	119435	P5-095-RO		

TP4 - Factory rebuild only.

TriPod Accessories						
Part Description	Item Number	Part Number	Item Number	Part Number	Item Number	Part Number
Female Half	113100	TP5-1100	113110	TP6-1100	113120	TP7-1100
Male Half	113105	TP5-1200	113115	TP6-1200	113125	TP7-1200
Bar & Hardware Kit	119400	TP1-1301	119402	TP2-1301	119404	TP3-1301
Male Ball Socket Kit	119425	TP55-1305	119427	TP77-1305	119429	TP126-1305



Female Half



Male Half

Parker 7262 Series Nylon 6 Year Hose Assemblies

Item Number	Part Number	Hose I.D.	Hose Ends	Hose Length (OAL)
185515	AN10010	1"	1" MNPT	10'
185520	AN10012			12'
185525	AN10015			15'
185528	AN10018			18'
185590	AN12510	1 1/4"	1 1/4" MNPT	10'
185594	AN12512			12'
185600	AN12515			15'
185603	AN12518			18'

Hose Assemblies can be assembled in any length.



Nylon Green Stripe

Snap Acting Hose End Valves

Item Number	Part Number	Inlet	Outlet	Body Type	Repair Kit
110505	AL344P	1" FNPT	1" FNPT	Globe	344-22
110515	AL345P			Angle	
110516	AL361	1-1/4" FNPT	1-1/4" FNPT		



AL345P



AL344P

Minimum Bleed Hose End Valves & RotaSeals



Quick Jaw Hose End Valves

Item Number	Part Number	Inlet	Outlet	Body Type	Valve Release	Repair Kit
110518	AL363	1" FNPT	1-3/4" F. Acme	Angle	.75 CC	363-20
110521	AL366	1-1/4" FNPT				



AL363 Quick Jaw



Quick Jaw Open



ST571HS

Safety Fill Adaptor For Quick Jaw

Item Number	Part Number	Inlet	Outlet
150634	ST571HS	1-3/4" M. Acme	1-3/4" F. Acme

Minimum Bleed Hose End Valves

Item Number	Part Number	Inlet	Outlet	Valve Release	Repair Kit
110512	AL343A	1" FNPT	1-3/4" F. Acme	.65 CC	363-20
110522	AL362A	1-1/4" FNPT	1-3/4" F. Acme	.65 CC	363-20



AL343A

RotaSeal Hose Swivel

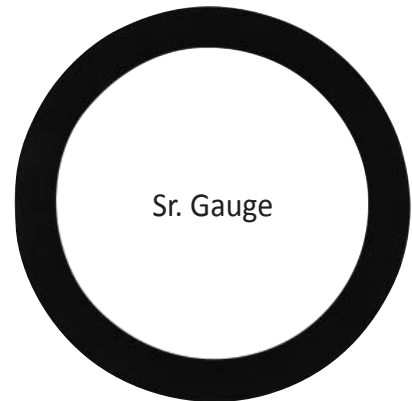
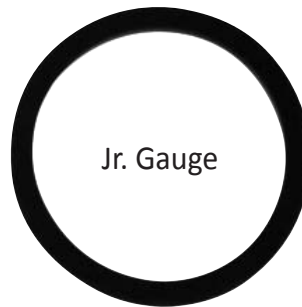
Item Number	Part Number	Inlet & Outlet	Repair Kit
112051	AL107	3/4" NPT	107-22
112056	AL109	1" NPT	109-22
112061	AL111	1 1/4" NPT	111-22



AL111

Gaskets & O-Rings			
Item Number	Part Number	Style	Size
126663	1E8122	Gasket	1 1/4" Acme
119337	ST-1102A-16		1 3/4" Acme
126670	ST-1E8126		2 1/4" Acme
126673	ST-1E8128		3 1/4" Acme
128169	T10948		4 1/4" Acme
403010	210		O-Ring
403012	216	1 3/4" Acme	
129055	T12655	2 1/4" Acme	
127070	ST-1H2917	3 1/4" Acme	
403015	238	4 1/4" Acme	
130121	Buna-N	Gasket	
130134	Teflon		
403014	15-21	O-Ring	
130122	Buna-N	Gasket	Sr. Gauges
130130	Teflon		
130131	Spirotallic		
403013	15-22		
130040	Spirotallic	Gasket	Master & RoadMaster Gauges

Gaskets pictured are actual size.



Squibb-Taylor Valves								
Fits	Repair Kit		Bonnet Assembly		Stem & Disc Assembly		Handle Assembly	
	Item Number	Part Number	Item Number	Part Number	Item Number	Part Number	Item Number	Part Number
A329AL & A1520	119059	310-22	119060	310-25	119061	310-26	----	----
A330, A331, A1525, & A1527	119228	330-22	110339	A330-25				
A333AL, A334AL, A1528, A1529, & A1530	119306	480-22	119306	480-25	119307	S481-1100	----	----
A480, A490, & A502	119306	480-22	119306	480-25	119307	S481-1100	----	----
A520, A521, A522, A525	119059	310-22	119060	310-25	119061	310-26	----	----
A1415 & A1416	119376	1415-7	----	----	----	----	----	----
A1570, A1571, A1572, A1574, & A1578	119039	308-22	119040	308-25	119041	308-26	----	----
A1590, A1591, A1592, A1596, A1597, A1598, & A1599	119059	310-22	119060	310-25	119061	310-26	----	----
AL107	112052	107-22	----	----	----	----	----	----
AL109	112057	109-22	----	----	----	----	----	----
AL111	112065	111-22	----	----	----	----	----	----
AL306, AL307, AL308 & AL309	119039	308-22	119040	308-25	119041	308-26	----	----
AL310, AL311, AL360, AL477, AL478, & AL487	119059	310-22	119060	310-25	119061	310-26	----	----
AL312 & AL313	119109	312-22	119110	312-25	119111	312-26	----	----
AL314 & A315	119125	314-22	119126	314-25	119127	314-26	----	----
AL316, AL316F, AL317, & AL317F	119169	316-22	119170	316-25	119171	316-26	----	----
AL320, AL320F, AL321, & AL321F	119217	320-22	119218	320-25	119219	320-26	----	----
AL342, AL343, AL343C & AL362	119360	343-22	119335	343-25	119333	342-1700	119359	340-1300
AL344 & AL345, & AL361	119361	344-22	119356	345-25	119221	340-1200		
AL343A, AL362A, AL363, & AL366	119351	363-20	----	----	119348	S363-1701	----	----
AL407, AL409, & A1556	119255	407-21	119257	407-25	119256	407-23	----	----
AL410, AL411, AL412, & AL413	119279	410-21	119281	410-25	119280	410-23	----	----
AL479	119300	479-22	119303	479-25	119304	479-1300	----	----

Valve Repair Parts & Accessories

Item Number	Part Number	Description	Fits
113022	RB1-2003	Bracket Retaining Ring	RB1-1002 Bracket For RB1, RB1.25, FM125 & FM126
113031	RB1-0024	Guide Nut & O-Ring Repair Kit	RB-1
113033	RB1.25-0024		RB-1.25
110600	A479-5050	Bushing	Valves With Open Yoke Excess Flow Only
119357	1105-22	Repair Kit	1105-25, A1578, & A1592
119358	1105-25	Fill Valve	

Fisher Internal Valve Repair Kits

Item Number	Part Number	For Type Number	Kit Contents
125010	RC40016T012	C402-16, C421-16, & C427-16	Discs, Packing, Stub Shaft, O-Rings, Cotter Pin, & Washer
125015	RC40024T012	C402-24, C421-24, & C427-24	
125030	RC40710T042	C407-10	Discs, Packing, & O-Ring
125012	RC47016T012	C471-16 & C477-16	Discs, Packing, Stub Shaft, O-Rings, Cotter Pin, & Washer
125017	RC47024T012	C471-24 & C477-24	

Fisher Internal Valve Parts

Part Description	C407-10		C477-16 & C471-16		C477-24 & C471-24	
	Item Number	Part Number	Item Number	Part Number	Item Number	Part Number
Gland Assembly	129295	T20850-T0012	129171	T20377-000B2	129186	T20430-000B2
Lever	129890	T13428-T0012	128700	T11559-19312	128700	T11559-19312
Cotter Pin for Lever	129880	T13405-T0012	127092	1H8371-28982	127092	1H8371-28982
Main Disc - Nitrile	129878	T13397-T0012	128649	T11540-03202	128823	T11774-03202
Bleed Disc - Nitrile	129877	T13395-T0012	129412	ERAA00328A0	129412	ERAA00328A0
O-Ring - Nitrile	129879	T13400-T0012	128697	T11557-06562	128697	T11557-06562

Fisher Internal Valve Excess Flow Springs

Item Number	Part Number	Fits	Part Description
129884	T13414-T0012	C407-10	Excess Flow Spring - 30 GPM (Blue)
129883	T13413-T0012		Excess Flow Spring - 50 GPM (Green)
129882	T13412-T0012		Excess Flow Spring - 80 GPM (Orange)
129209	GE42498X012	C477-16 & C471-16	Excess Flow Spring - 105 GPM (Green)
128640	T11535-37022		Excess Flow Spring - 150 GPM (Yellow)
128967	T12005-37022		Excess Flow Spring - 250 GPM (Pink)
129213	GE42499X012	C477-24 & C471-24	Excess Flow Spring - 160 GPM (Blue)
129214	GE42500X012		Excess Flow Spring - 265 GPM (Black)
129223	GE42851X012		Excess Flow Spring - 375 GPM (Yellow)
129216	GE42501X012		Excess Flow Spring - 460 GPM (Red)

MEC Internal Valve Repair Kits			
Item Number	Part Number	Part Description	Fits
153985	ME990-10-VRK	Valve Repair Kit	ME990-10 & ME992-10
153990	ME990-10-SRK	Valve Seal Repair Kit	
153995	ME990-10-PRK	Valve Stem Packing Repair Kit	
153625	ME990-16-VRK	Valve Repair Kit	ME990-16 & ME992-16
153630	ME990-16-SRK	Valve Seal Repair Kit	
153580	ME990-PRK	Valve Stem Packing Repair Kit	
153570	ME990-24-VRK	Valve Repair Kit	ME990-24 & ME992-24
153575	ME990-24-SRK	Valve Seal Repair Kit	
153580	ME990-PRK	Valve Stem Packing Repair Kit	

MEC Internal Valve Parts						
Part Description	ME990-10		ME990-16 & ME992-16		ME990-24 & ME992-24	
	Item Number	Part Number	Item Number	Part Number	Item Number	Part Number
Stem Packing Gland Assy.	154000	ME990-10-PGA	153585	ME990-PGA	153585	ME990-PGA
Operating Lever	154020	ME990-10-129	153560	ME990-140	153560	ME990-140

MEC Internal Valve Excess Flow Springs			
Item Number	Part Number	Fits	Part Description
154005	ME990-10-137-35	ME990-10	Excess Flow Spring - 35 GPM (Blue)
154010	ME990-10-137-55		Excess Flow Spring - 55 GPM (Green)
154015	ME990-10-137-85		Excess Flow Spring - 85 GPM (Orange)
153635	ME990-16-106-110	ME990-16 & ME992-16	Excess Flow Spring - 110 GPM (Yellow)
153640	ME990-16-106-160		Excess Flow Spring - 160 GPM (Green)
153645	ME990-16-106-260		Excess Flow Spring - 260 GPM (Blue)
153590	ME990-107-175	ME990-24 & ME992-24	Excess Flow Spring - 175 GPM (Purple)
153595	ME990-107-250		Excess Flow Spring - 250 GPM (Black)
153605	ME990-107-375		Excess Flow Spring - 375 GPM (Yellow)
153610	ME990-107-400		Excess Flow Spring - 400 GPM (Red)
153615	ME990-107-475		Excess Flow Spring - 475 GPM (Silver)
153620	ME990-107-500		Excess Flow Spring - 500 GPM (White)

Appendix A—Minimum Required Flow Rate of Pressure Relief Devices for Fire Protection (Normative)

Pressure relief valves for excessive heat or fire protection used on containers covered by Sections 6, 11, and 12 shall be constructed to discharge at not less than the rates required in Appendix A before the pressure is in excess of 121% of the MAWP of the container. Relief protection for any other reason shall use ASME UG-125, UG-126, UG-127, UG-128, UG-129, UG-130, UG-131, UG-132, UG-133, UG-134, UG-135, AND UG-136 [17].

Surface Area ft ²	Flow Rate ft ³ /min air	Surface Area ft ²	Flow Rate ft ³ /min air	Surface Area ft ²	Flow Rate ft ³ /min air	Surface Area ft ²	Flow Rate ft ³ /min air	Surface Area ft ²	Flow Rate ft ³ /min air
20	258	120	1,120	240	1,980	600	4,200	1,600	9,380
25	310	125	1,160	250	2,050	650	4,480	1,650	9,620
30	360	130	1,200	260	2,120	700	4,760	1,700	9,860
35	408	135	1,240	270	2,180	750	5,040	1,750	10,090
40	455	140	1,280	280	2,250	800	5,300	1,800	10,330
45	501	145	1,310	290	2,320	850	5,590	1,850	10,560
50	547	150	1,350	300	2,380	900	5,850	1,900	10,800
55	591	155	1,390	310	2,450	950	6,120	1,950	11,030
60	635	160	1,420	320	2,510	1,000	6,380	2,000	11,260
65	678	165	1,460	330	2,570	1,050	6,640	2,050	11,490
70	720	170	1,500	340	2,640	1,100	6,900	2,100	11,720
75	762	175	1,530	350	2,700	1,150	7,160	2,150	11,950
80	804	180	1,570	360	2,760	1,200	7,410	2,200	12,180
85	845	185	1,600	370	2,830	1,250	7,660	2,250	12,400
90	885	190	1,640	380	2,890	1,300	7,910	2,300	12,630
95	925	195	1,670	390	2,950	1,350	8,160	2,350	12,850
100	965	200	1,710	400	3,010	1,400	8,410	2,400	13,080
105	1,010	210	1,780	450	3,320	1,450	8,650	2,450	13,300
110	1,050	220	1,850	500	3,620	1,500	8,900	2,500	13,520
115	1,090	230	1,920	550	3,910	1,550	9,140	2,550	13,739

Surface area = total outside surface area of container in square feet. When the surface area is not stamped on the name plate or when the marking is not legible, the area can be calculated by using one of the following formulas:

- (1) Cylindrical container with hemispherical heads—Area = overall length (ft) x OD (ft) x 3.1416
- (2) Cylindrical container with other than hemispherical heads—Area = (overall length [ft] + 0.3 OD [ft]) x OD (ft) x 3.1416
- (3) Spherical container—Area = OD (ft)² x 3.1416

Flow rate ft³/min air = ft³/min of air required at standard conditions, 60°F (15.6°C) and atmospheric pressure (14.7) psia, [101.3 kPa, abs])

The rate of discharge may be interpolated for intermediate values of surface area. For containers with total outside surface greater than 2500 ft², the required flow rate can be calculated using the formula:

$$\text{Flow rate ft}^3/\text{min air} = 22.11 A^{0.82}$$

Where: A = outside surface area of the container in square feet

Conversion factors: — ft² x 0.092 903 = m²

— ft³/min x 0.028 317 = m³/min

— ft x 0.3048 = m

From CGA G-2.1—2014, Appendix A

Pressure & Temperature Chart of Ammonia (NH₃)

Temperature	Pressure	Temperature	Pressure	Temperature	Pressure	Temperature	Pressure
-28°F	0 PSIG	20°F	33 PSIG	70°F	114 PSIG	120°F	271 PSIG
-20°F	3 PSIG	30°F	45 PSIG	80°F	138 PSIG	130°F	315 PSIG
-10°F	9 PSIG	40°F	58 PSIG	90°F	165 PSIG		
0°F	15 PSIG	50°F	74 PSIG	100°F	197 PSIG		
10°F	23 PSIG	60°F	92 PSIG	110°F	232 PSIG		

Squibb-Taylor's Quality Policy

We will provide defect-free products and service to our customers and associates.

We will fully understand the requirements of our jobs and the systems that support us.

We will conform to these requirements at all times.

Squibb-Taylor, Inc., established in 1947, has been serving the NH3 industry with quality lines and services for over sixty-eight years.

Squibb-Taylor, Inc., is responsible for the marketing of Taylor's liquid level gauges and Parker PGI International valves for the NH3 industry. We are also a stocking distributor for other manufactured NH3 products. **SQUIBB-TAYLOR DOES NOT DESIGN OR MANUFACTURE ANY PRODUCTS IN THIS CATALOG.**

The Dallas facility houses 24,500 square feet of space, of which 14,500 square feet are devoted to its warehouse that stocks some 10,000 separate items.

We wish to thank you for the support and confidence you have shown in Squibb-Taylor and hope relationships will continue for decades to come.

TERMS & CONDITIONS

Payment

To customers with established credit, *net 30 days from date of invoice*. Customers without established credit will be shipped C.O.D., credit card with percentage upcharge or cash in advance.

Prices

Prices are subject to change without notice.

Shortage Claims

Claims for shortages must be made within 10 days after receipt of shipment.

Warranty

Warranties as expressed by individual manufacturers will be honored.

Returned Material

No material should be returned for credit without Seller's prior approval. Transportation charges must be prepaid. A restocking charge may apply. Merchandise returned must be accompanied by a Returned Goods Authorization (RGA) number, which is provided to customer by Squibb-Taylor.

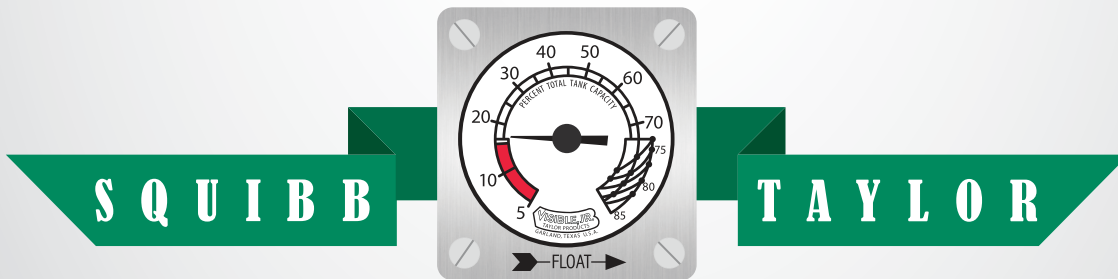
Taxes

Buyer shall be liable for all Sales, Use, or Excise taxes not included in total invoice price.

Special Orders

On special items we order that are not normal stock items, we cannot accept cancellations or returns and may require prepayment at the discretion of Squibb-Taylor.

Visit our Website @ www.squibbtaylor.com for Updates, Changes, New Products, IOM Manual - (Installation, Operation, & Maintenance Instructions), Service Guides & to Sign up for our Newsletter.



Visit our Website @ www.squibbtaylor.com for Updates, Changes, New Products, IOM Manual - (Installation, Operation, & Maintenance Instructions), Service Guides & to Sign up for our Newsletter.

10480 Shady Trail Suite #106
Dallas, Tx. 75220

www.squibbtaylor.com

800-345-8105
Fax 214-357-5923